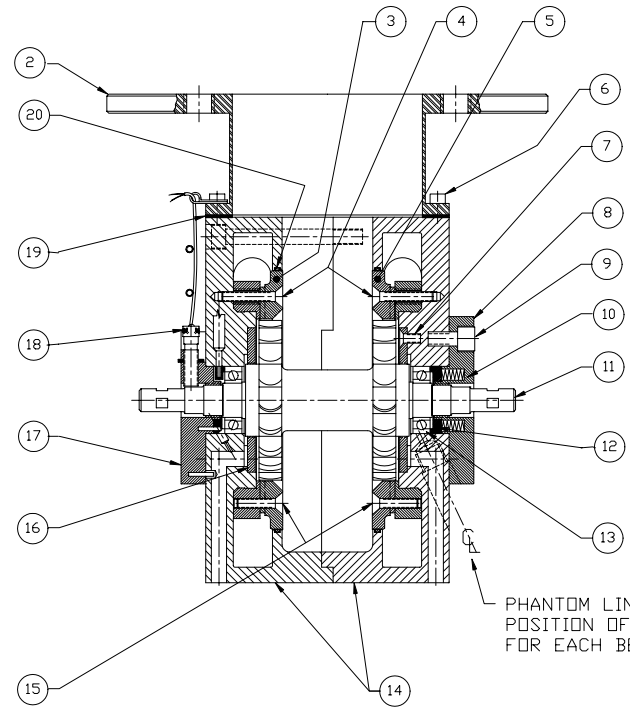
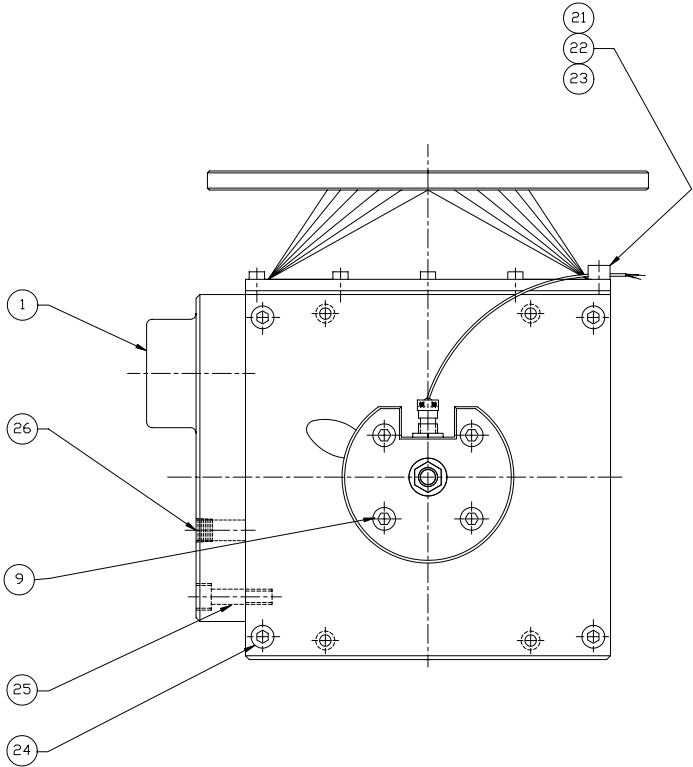


THIS DRAWING IS THE PROPERTY OF BARBOUR STOCKWELL COMPANY, AND CONTAINS PROPRIETARY AND CONFIDENTIAL INFORMATION. THE DRAWING IS LOANED ON THE EXPRESS CONDITION THAT NEITHER IT NOR THE INFORMATION CONTAINED HEREIN SHALL BE DISCLOSED TO OTHERS WITHOUT THE EXPRESS CONSENT OF THE CORPORATION AND THAT THE INFORMATION SHALL BE USED BY THE RECIPIENT ONLY AS APPROVED EXPRESSLY BY THE CORPORATION. ALSO THE DRAWING SHALL BE RETURNED TO THE CORPORATION UPON ITS REQUEST.

PARTS LIST

REF. NO.	PART NO.	QTY.	DESCRIPTION
1	1568	1	MANIFOLD
2	1552	1	EXHAUST TRANSITION
3	1586-A90	1	NOZZLE PLATE R.H.
4	1584	22	SCREW, 8-32 X 3/4" FLAT HEAD
5	1585-A90	1	NOZZLE PLATE L.H.
6	1576	13	SCREW, 8-32 X 3/8" SOCKET HEAD
7	6028	8	SCREW, 1/8-40 X 3/8" FLAT HEAD
8	1565	1	END CAP
9	1577	8	SCREW, 1/4-28 X 1/2" FERRY CAP
10	6026	20	SPRINGS (10 EACH SIDE)
11	1560	1	ROTOR
12	1566	2	PRESSURE RING
13	1551	2	BALL BEARING
14	1593	1	NOZZLE BOX ASSEMBLY
15	1583	2	SCREW, 8-32 X 3/4" FLAT HEAD
16	1567	2	SEAL
17	1564	1	END CAP (PICKUP SIDE)
18	1116	1	MAGNETIC PICKUP
19	1553	1	GASKET
20	1582	2	O-RING
21	1589	1	WASHER, #8
22	1594	1	SCREW, 8-32 X 1/2" SOCKET HEAD
23	1588	1	CABLE CLAMP
24	1579	4	SCREW, 1/4-28 X 2 1/4" FERRY CAP
25	1578	6	SCREW, 1/4-28 X 1" FERRY CAP
26	1590	2	PIPE PLUG



PHANTOM LINES INDICATE POSITION OF THERMOCOUPLE PORT FOR EACH BEARING

NOTES

- FOR PARTS LIST PURPOSES, PORTIONS OF THIS SECTIONAL ASSEMBLY ARE SHOWN OUT OF TRUE POSITION
- WHEN ORDERING TURBINE PARTS, SERIAL NUMBERS STAMPED ON B.S.CO. NAMEPLATE SHOULD BE INCLUDED
- EXTREME CARE MUST BE USED IN THE HANDLING, POSITIONING AND ALIGNING OF MATING PARTS
- REFER TO DRAWING 1570 FOR TURBINE INSTALLATION
- SHIPPING WEIGHT OF TURBINE IS APPROX. 70 LBS

CHARACTERISTIC SYMBOLS		TOLERANCE	UNLESS OTHERWISE NOTED	REV	DESCRIPTION	DATE	BY
STRAIGHTNESS	—	±.015	DRAWN	10/12/90	APPROVED	DATE	DATE
FLATNESS	—	±.015					
ROUNDNESS	○	±.005	DRAWN	10/12/90	APPROVED	DATE	DATE
CIRCULARITY	○	±.005					
CYLINDRICITY	∕	±.005	DRAWN	10/12/90	APPROVED	DATE	DATE
PROFILE OF A LINE	∕	±.005					
PROFILE OF A SURFACE	∕	±.005	DRAWN	10/12/90	APPROVED	DATE	DATE
ANGULARITY	∕	±.005					

USED ON	BARBOUR STOCKWELL CO. 83 LINSKEY WAY CAMBRIDGE, MASS 02142
DESCRIPTION	2" UNIVERSAL TURBINE MODEL 1570A
DRAWING NUMBER	1570A
SCALE	FULL
SHEET	1 OF 1