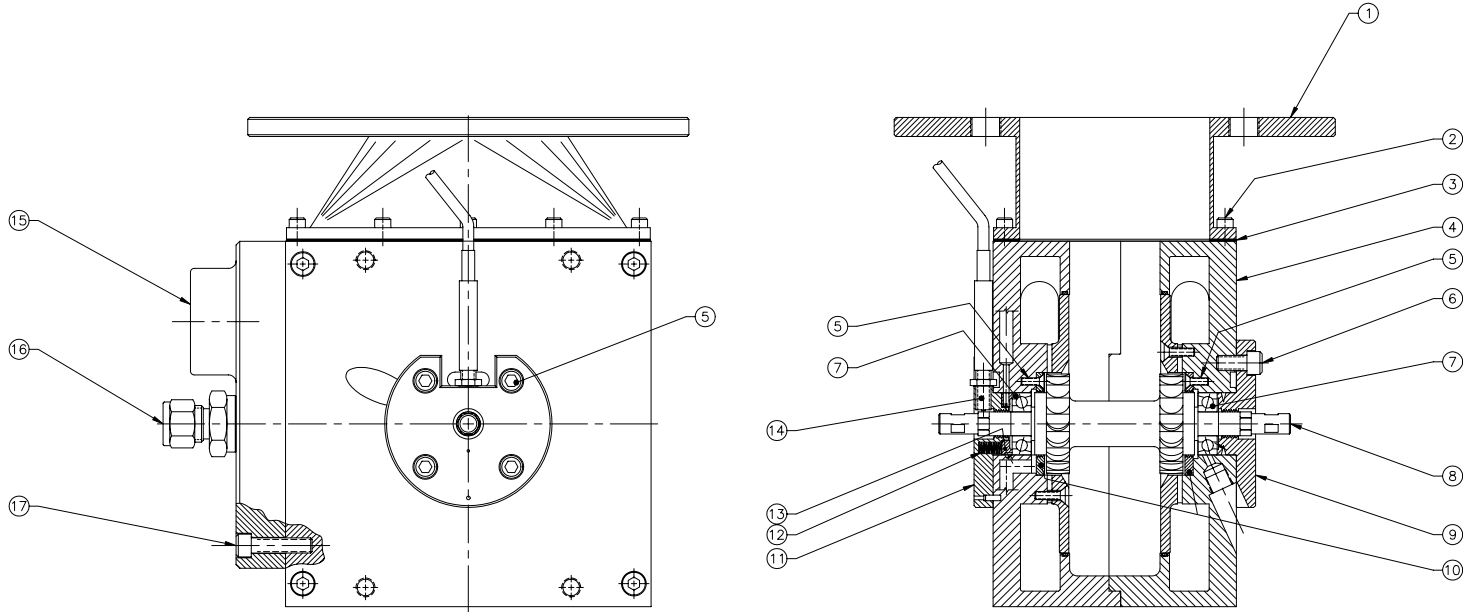


THIS DRAWING IS THE PROPERTY OF BARBOUR STOCKWELL COMPANY, AND CONTAINS PROPRIETARY AND CONFIDENTIAL INFORMATION. THE DRAWING IS LOANED ON THE EXPRESS CONDITION THAT NEITHER IT NOR THE INFORMATION CONTAINED HEREIN SHALL BE DISCLOSED TO OTHERS WITHOUT THE EXPRESS CONSENT OF THE CORPORATION AND THAT THE INFORMATION SHALL BE USED BY THE RECIPIENT ONLY AS APPROVED EXPRESSLY BY THE CORPORATION. ALSO THE DRAWING SHALL BE RETURNED TO THE CORPORATION UPON ITS REQUEST.

PARTS LIST

REF NO.	PART NO.	QTY	DESCRIPTION
1	1552	1	EXHAUST TRANSITION
2	1576	14	SCREW
3	1553	1	GASKET
4	1635	1	NOZZLE BOX ASSEMBLY
5	6028	6	SCREW
6	1577	8	SCREW
7	1610	2	BALL BEARING
8	1600	1	ROTOR
9	1633	1	END CAP
10	1601	2	SEAL
11	1603	1	END CAP (PICK UP SIDE)
12	6026	8	SPRING, PRELOAD
13	1611	1	PRESSURE RING
14	1116	1	MAGNETIC PICK UP
15	1568	1	MANIFOLD
16	1580	1	TUBE FITTING
17	1578	6	SCREW



NOTES ~

- FOR PARTS LIST PURPOSES, PORTIONS OF THIS SECTIONAL ASSEMBLY ARE SHOWN OUT OF TRUE POSITION.
- WHEN ORDERING TURBINE PARTS, SERIAL No. STAMPED ON B.S.Co. NAMEPLATE SHOULD BE INCLUDED.
- EXTREME CARE MUST BE USED IN THE HANDLING, POSITIONING & ALIGNING OF MATING PARTS.
- REFER TO DRAWING #X FOR TURBINE INSTALLATION.
- SHIPPING WEIGHT OF TURBINE IS APPROX.

CHARACTERISTIC SYMBOLS		TOLERANCE	UNLESS OTHERWISE NOTED	REV	DESCRIPTION	DATE	BY
STRAIGHTNESS	—	XX ± .010	MATERIAL	-	USED ON BARBOUR STOCKWELL CO. 83 LINSKEY WAY CAMBRIDGE, MASS 02142		JRG
PERPENDICULARITY:	⊥	XXX ± .005					
FLATNESS	∥	XXX ± .005					
ROUNDNESS:	○	XXX ± .005					
CIRCULARITY	⊕	XXX ± .005					
CYLINDRICITY	∩	XXX ± .005					
PROFILE OF A SURFACE	∩	XXX ± .005					
ANGULARITY	∠	XXX ± .005					
PERPENDICULARITY:	⊥	XXX ± .005					
PARALLELISM	∥	XXX ± .005					
POSITION	⊕	XXX ± .005					
CONCENTRICITY	⊙	XXX ± .005					
SYMMETRY	≡	XXX ± .005					
CIRCULAR RUNOUT	↗	XXX ± .005					
TOTAL RUNOUT	↘	XXX ± .005					

CAD FILE = 1650-AXX	DATE	12/11/91	APPROVED	DATE	12/11/91	APPROVED	DATE	12/11/91
	SIZE	D	DRAWING NUMBER	1650-AXX	REV	-	SCALE	FULL
	SHEET		1	OF	1			
	DESCRIPTION		UNIVERSAL MOUNTING			1 1/2 TURBINE		