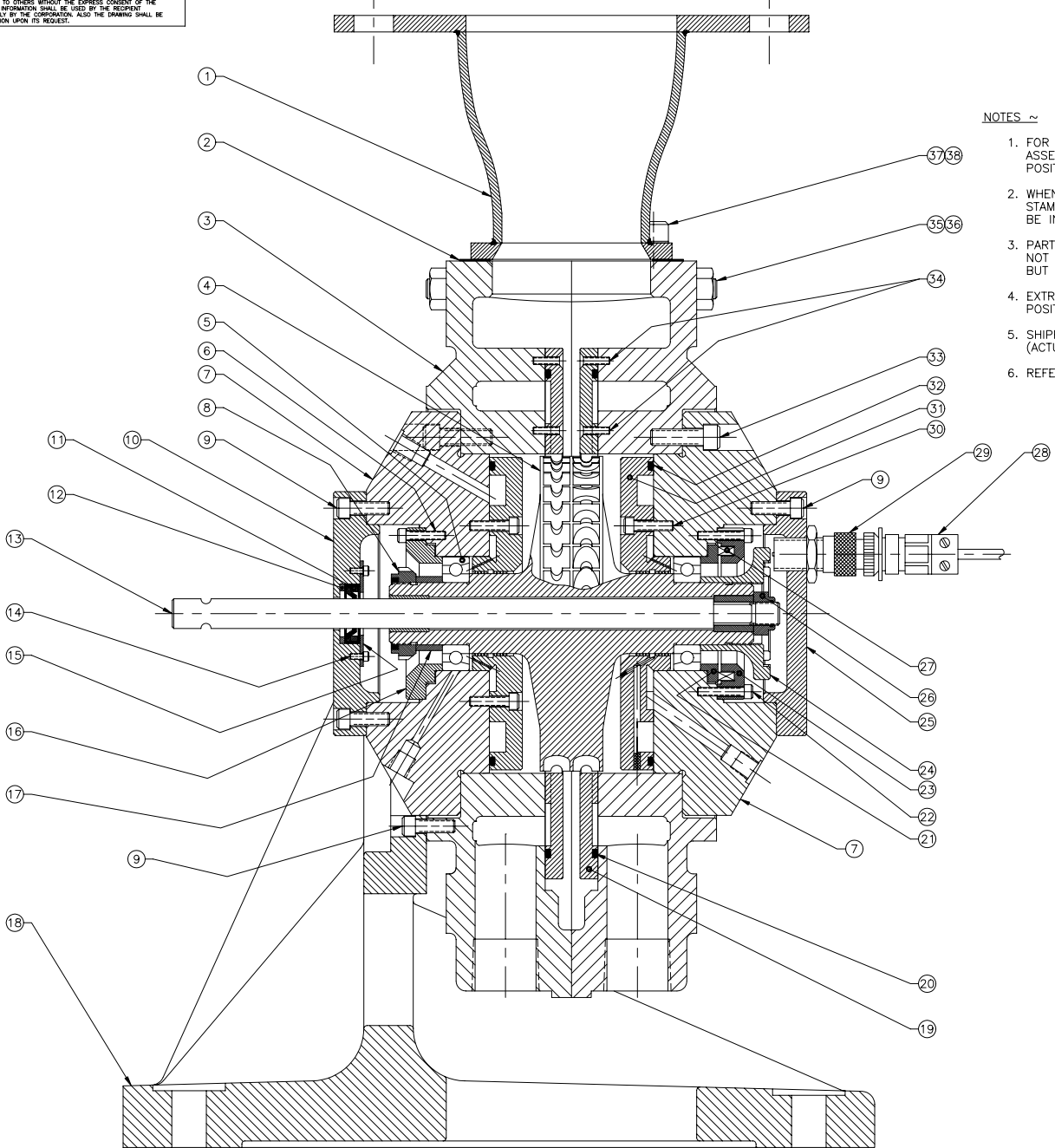


THIS DRAWING IS THE PROPERTY OF BARBOUR STOCKWELL COMPANY, AND CONTAINS PROPRIETARY AND CONFIDENTIAL INFORMATION. THE DRAWING IS LOANED ON THE EXPRESS CONDITION THAT NEITHER IT NOR THE INFORMATION CONTAINED HEREIN SHALL BE REPRODUCED OR COPIED IN ANY MANNER WITHOUT THE EXPRESS CONSENT OF THE CORPORATION AND THAT THE INFORMATION SHALL BE USED BY THE RECIPIENT ONLY AS APPROVED EXPRESSLY BY THE CORPORATION. ALSO THE DRAWING SHALL BE RETURNED TO THE CORPORATION UPON ITS REQUEST.



NOTES ~

1. FOR PARTS LIST PURPOSES THIS SECTIONAL ASSEMBLY ARE SHOWN OUT OF TRUE POSITION AND OR SCALE.
2. WHEN ORDERING TURBINE PARTS SERIAL No. STAMPED ON BS.Co. NAMEPLATE SHOULD BE INCLUDED.
3. PARTS DESIGNATED WITH *** ARE ACCESSORIES NOT FURNISHED WITH BASIC TURBINE ASSEMBLIES BUT ARE AVAILABLE UPON REQUEST.
4. EXTREME CARE MUST BE USED IN THE HANDLING, POSITIONING AND ALIGNING OF MATING PARTS.
5. SHIPPING WEIGHT OF TURBINE APPROX. XXXLBS (ACTUAL NET WEIGHT. XXXLBS)
6. REFER TO DRAWING #6750 FOR TURBINE INSTALLATION.

PARTS LIST

REF NO	PART NO.	QTY	DESCRIPTION
1	6105	1	EXHAUST ADAPTER (WELDMENT)
2	2721	1	GASKET, EXHAUST ADAPTER
3	6704	1	NOZZLE BOX ASSEMBLY
4	6714	1	ROTOR ASSEMBLY
5	6117	2	BALL BEARING
6	9440	3	SCREW
7	6702	2	BEARING HOUSING
8	4195	1	BEARING LOCKNUT
9	9442	18	SCREW
10	6706	1	COVER, SEAL
11	6113	1	LIP SEAL
12	4164	1	WASHER, DAMPER BEARING
13	6104	1	SPINDLE ***
14	2429	4	SCREW
15	6043	1	RETAINER PLATE
16	6707	1	BEARING STOP
17	6712	1	BEARING SPACER
18	6710	1	BASE
19	6103	2	NOZZLE PLATE
20	6198	2	O'RING
21	6708	1	PRESSURE RING
22	9443	3	SCREW
23	6705	1	SPRING NEST SLEEVE
24	6711	1	SPEED PICK-UP GEAR
25	6709	1	COVER
26	6119	1	NUT, SPINDLE ***
27	6026	24	SPRING, PRELOAD
28	1895	1	CABLE ASSEMBLY
29	2433	1	MAGNETIC PICK-UP
30	9444	8	SCREW
31	6703	2	LABYRINTH SEAL
32	6715	2	O'RING
33	9441	12	SCREW
34	2934	82	SCREW
35	4213	2	TIE ROD
36	4214	4	HEX NUT
37	1222	4	SCREW
38	4208	4	GASKET
-	4210	10	SCREW
-	4212	10	HEX NUT
-	4211	20	WASHER
-	6130	2	LIFTING EYE
-	4182	4	SCREW
-	4253	1	LOCATING PIN

NOT SHOWN

CHARACTERISTIC SYMBOLS				TOLERANCE	UNLESS OTHERWISE NOTED	REV	DESCRIPTION	DATE	BY
STRAIGHTNESS	—	PERPENDICULARITY:	⊥	XX .010	DRAWN J.ROBERTS	USED ON	BARBOUR STOCKWELL CD		
FLATNESS	—	SQUARENESS	⊥	XXX .005		DATE	300 THIRD STREET		
ROUNDNESS:	○	CIRCULARITY	⊕	ANGLES .1 .30	DATE	CAMBRIDGE, MASS 02142			
ROUNDNESS:	○	POSITION	⊕	FINISH MICROINCHES EXCEPT AS NOTED	APPROVED				
CYLINDRICITY	⊘	CONCENTRICITY	⊙	HEAT TREAT	DATE				
PROFILE OF A LINE	⌒	SYMMETRY	≡		APPROVED				
PROFILE OF A SURFACE	⌒	CIRCULAR RUNOUT	⊘		DATE				
ANGULARITY	∠	TOTAL RUNOUT	⊘						

CAD FILE # BS-6700	6" HORIZONTAL TURBINE
DATE	DRAWING NUMBER 6700
SCALE FULL	SHEET 1 of 1