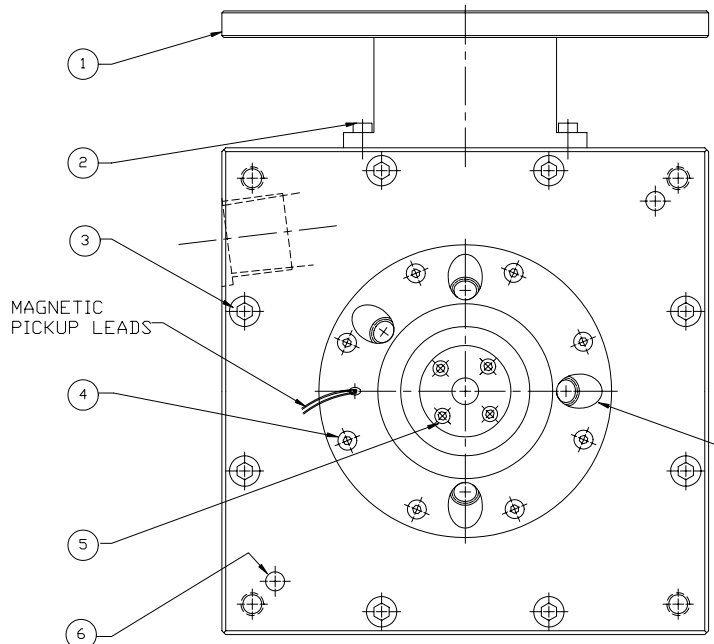
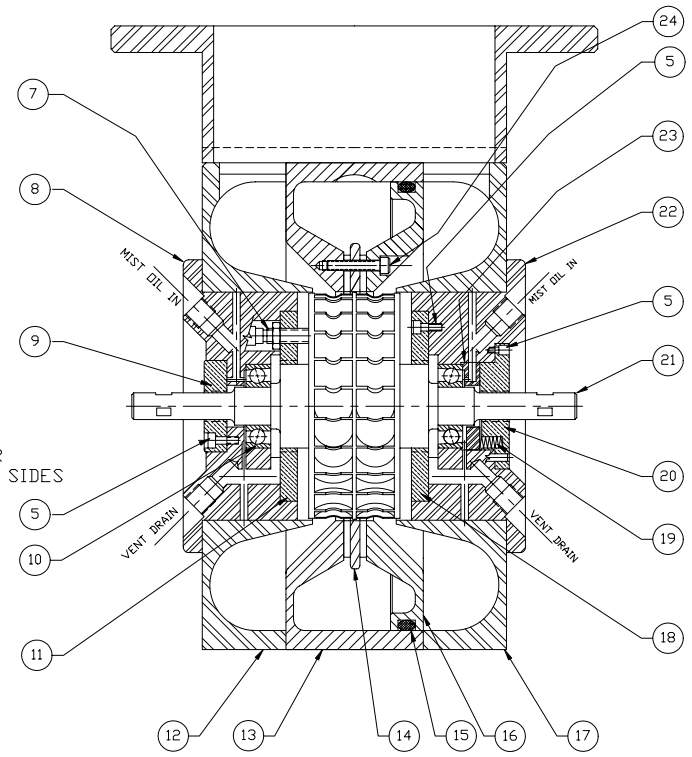


THIS DRAWING IS THE PROPERTY OF BARBOUR STOCKWELL COMPANY, AND CONTAINS PROPRIETARY AND CONFIDENTIAL INFORMATION. THE DRAWING IS LOANED ON THE EXPRESS CONDITION THAT NEITHER IT NOR THE INFORMATION CONTAINED HEREIN SHALL BE DISCLOSED TO OTHERS WITHOUT THE EXPRESS CONSENT OF THE CORPORATION AND THAT THE INFORMATION SHALL BE USED BY THE RECIPIENT ONLY AS APPROVED EXPRESSLY BY THE CORPORATION. ALSO THE DRAWING SHALL BE RETURNED TO THE CORPORATION UPON ITS REQUEST.



MAGNETIC PICKUP LEADS

BRAKE AIR TYP BOTH SIDES



- FOR PARTLIST PURPOSES, PORTIONS OF THIS SECTIONAL ASSEMBLY ARE SHOWN OUT OF TRUE POSITION
- WHEN ORDERING TURBINE PARTS, SERIAL NUMBER STANDARD ON B.S.CO. NAMEPLATE SHOULD BE INCLUDED
- EXTREME CARE MUST BE USED IN THE HANDLING, POSITIONING & ALIGNING OF THE MATING PARTS
- REFER TO DRAWING 6050 FOR TURBINE INSTALLATION
- SHIPPING WEIGHT OF TURBINE IS APPROX. 62lb.
- COMPONENTS OF THE NOZZLE BOX ASSEMBLY ARE NOT INDIVIDUALLY REPLACEABLE - ITEMS #12, #13, #14, #16, & #17
- THE SUFFIX xx IN COMPONENT PART NUMBERS INDICATE THE DESIGN INLET PRESSURE FOR THE TURBINE

REF NO	PART NO.	QTY	DESCRIPTION
1	6077	1	EXHAUST ADAPTER
2	1017	8	SCREW
3	6085	7	SCREW
4	4267	16	SCREW
5	6087	24	SCREW
6	6086	2	DOWEL PINS
7	1116	1	MAGNETIC PICKUP
8	6067	1	BEARING HDUSING (PICKUP SIDE)
9	6071	1	SEAL, OUTSIDE (PICKUP SIDE)
10	6030	2	BEARINGS
11	6072	1	SEAL-INSIDE (PICKUP SIDE)
12	6098	1	EXHAUST ANNULUS
13	6092Axx	1	NOZZLE BDX BASE
14	6091Axx	1	NOZZLE PLATE
15	6095	1	O'RING, NOZZLE CHAMBER SEAL
16	6094Axx	1	CAP, NOZZLE BOX
17	6097	1	EXHAUST ANNULUS
18	6073	1	SEAL-INSIDE (PRELOAD SIDE)
19	6026	12	SPRING, PRELOAD
20	6074	1	SEAL, OUTSIDE (PRELOAD SIDE)
21	6066	1	ROTOR, 4" UNIVERSAL
22	6068	1	BEARING HOUSING (PRELOAD SIDE)
23	6076	1	PRESSURE RING
24	6096	17	SCREW

CHARACTERISTIC SYMBOLS		TOLERANCE	UNLESS OTHERWISE NOTED	REV	DESCRIPTION	DATE	BY
—	PERPENDICULARITY; SQUARENESS	± .010	OTHERWISE NOTED		USED ON	BARBOUR STOCKWELL CO.	
∥	PARALLELISM	± .005	OTHERWISE NOTED		300 THIRD STREET		
⊕	POSITION	± .005	OTHERWISE NOTED		CAMBRIDGE, MASS. 02142		
⊙	CYCLINDRICITY	± .005	OTHERWISE NOTED				
⊖	CONCENTRICITY	± .005	OTHERWISE NOTED				
⊕	SYMMETRY	± .005	OTHERWISE NOTED				
⊖	CIRCULAR RUNOUT	± .005	OTHERWISE NOTED				
∠	TOTAL RUNOUT	± .005	OTHERWISE NOTED				
⊕	FINISH	AS NOTED	OTHERWISE NOTED				
⊖	HEAT TREAT	AS NOTED	OTHERWISE NOTED				
∠	NONE	AS NOTED	OTHERWISE NOTED				

CAD FILE # 6050A	DATE	04/28/72	DRAWN	BS
	APPROVED		DATE	
	APPROVED		DATE	
	APPROVED		DATE	
DESCRIPTION		UNIVERSAL TURBINE		
SIZE		4" STANDARD - 60,000 RPM		
DRAWING NUMBER		6050A		
SCALE		FULL		
SHEET		1 OF 1		