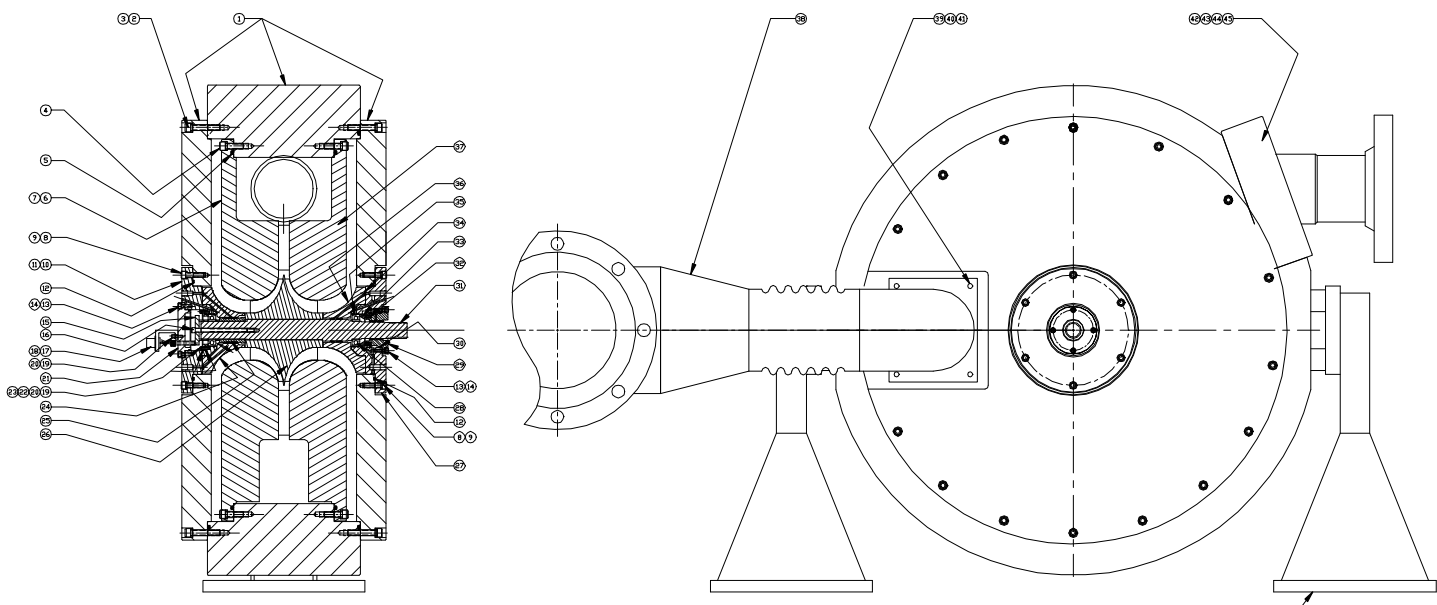


PROPRIETARY NOTICE
 THIS DRAWING CONTAINS CONFIDENTIAL INFORMATION PROPRIETARY TO BARBOUR STOCKWELL, INC. IT IS NOT TO BE REPRODUCED OR DISCLOSED TO OTHERS OR USED IN ANY OTHER WAY, IN WHOLE OR IN PART, EXCEPT AS AUTHORIZED IN WRITING BY BSI.

REVISIONS						
REV	ZONE	ECO #	DESCRIPTION	BY	DATE	APPROVALS

48	120-8-24	8	1/2-13 X 3.0 SHCS			
47	10080-025	2	SIDE STAND			
46	10080-026	8	SPACER, SIDE STAND			
45	300-BL	12	1/2 LOCKWASHER			
44	120-8-28	4	1/2-13 X 3.5 SHCS			
43	10080-028	1	INLET FLANGE ASSEMBLY			
42	2-159FKM	1	O-RING, VITON 2-159			
41	10080-032	2	GASKET, EXHAUST			
40	300-5L	8	5/16 LOCKWASHER			
39	120-5-6	8	5/16-18 X .75 SHCS			
38	10080-021	1	EXHAUST MANIFOLD			
37	10080-015	1	SHROUD, OUTPUT SHAFT END			
36	10080-013	1	DIFFUSER CASE			
35	2-034FKM	4	O-RING, VITON 2-034			
34	2-008FKM	6	O-RING, VITON 2-008			
33	10080-020	1	PRESSURE RING			
32	10080-031	16	PRELOAD SPRINGS			
31	10080-007	1	SHAFT, ROTOR			
30	2-035FKM	2	O-RING, VITON 2-035			
29	10080-029	1	SHAFT SEAL			
28	6117C	2	BALL BEARINGS, CERAMIC			
27	10080-011	1	BEARING HOUSING			
26	10080-030	1	TURBINE ROTOR			
25	10080-016	1	LABYRINTH SEAL			
24	10080-012	1	DIFFUSER CASE			
23	10080-024	1	BEARING SHIM			
22	10080-023	1	BEARING END CAP			
21	10080-018	1	END CAP			
20	300-N6L	6	#6 LOCK WASHER			
19	120-6-32X4	6	6-32 X 0.5 SHCS			
18	2942-R / 6939-762	1	MAGNETIC PICKUP & CONNECTOR			
17	10080-027	1	SPEED PICKUP ASSEMBLY			
16	120-4F32	1	1/4-28 X 4.0 SHCS			
15	10080-017	1	SPEED TACHOMETER NUT			
14	300-N10L	8	#10 LOCK WASHER			
13	120-10-32-10F	8	10-32 X 1.25 SHCS			
12	2-260FKM	2	ORING, VITON 2-260			
11	120-4-1	8	1/4-20 X 1.0 SHCS			
10	10080-010	1	BEARING HOUSING, SPEED PICKUP END			
9	300-5L	12	5/16 LOCK WASHER			
8	120-5-10	12	5/16-18 X 1.25 SHCS			
7	120-6-40	7	3/8-16 X 5.0 SHCS			
6	10080-014	1	SHROUD, SPEED PICKUP END			
5	2-393FKM	2	O-RING, VITON 2-393			
4	120-6-10	24	3/8-16 X 1.25 SHCS			
3	300-6L	24	LOCK WASHER 3/8			
2	120-6-16	24	3/8-16 X 2.0 SHCS			
1	10080-006	1	CASE ASSEMBLY			
REF NO	PART NO.	QTY	DESCRIPTION			



DO NOT SCALE THIS DRAWING	APPROVALS	DATE	DIMENSIONS ARE IN INCHES	BARBOUR STOCKWELL INC. 55 SIXTH ROAD WOBURN, MA, 01801 USA
UNSPECIFIED TOL .XX ± .01 .XXX ± .005 .XXXX ± .0005 ANGLES ± 0° 30' RADII OR CHAMFER ALL SHARP EDGES .015 MAX. ALL MACHINED SURFACES 63 RMS CONCENTRICITY .005 TR	DRAWN: AJE CHECKED: REC ENR DESIGNED: MECH ENR	3/31/03	THIRD ANGLE PROJECTION	
MATERIAL:	DATE FILED:			TITLE RADIAL INFLOW TURBINE ASSEMBLY
HEAT TREAT: NONE	OTHER: N/A			
NEXT ASSY:		SYSTEM:	APPLICATION:	SIZE: D DRAWING TYPE: N/A 10080-000
SCALE: 1:4		WT:	SHEET: 1 OF 1	