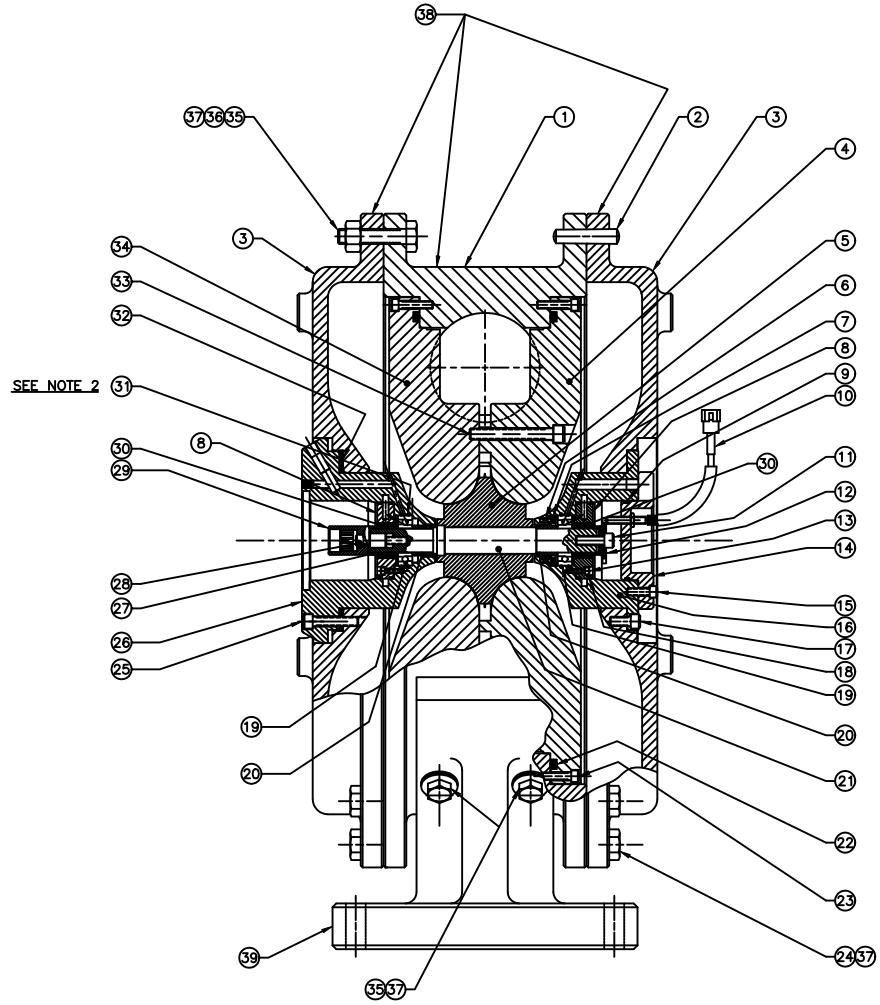


THIS DRAWING IS THE PROPERTY OF BARBOUR STOCKWELL COMPANY, AND CONTAINS PROPRIETARY AND CONFIDENTIAL INFORMATION. THE DESIGN IS LOANED ON THE EXPRESS CONDITION THAT NEITHER IT NOR THE INFORMATION CONTAINED HEREIN SHALL BE DISCLOSED TO OTHERS WITHOUT THE EXPRESS CONSENT OF THE CORPORATION AND THAT THE INFORMATION SHALL BE USED BY THE RECIPIENT ONLY AS APPROVED EXPRESSLY BY THE CORPORATION. ALSO THE DRAWING SHALL BE RETURNED TO THE CORPORATION UPON ITS REQUEST.



NOTE ~

- ITEM #38 CONSISTS OF ITEMS #1 & #3. THESE ITEMS CAN ONLY BE USED AS AN ASSEMBLY.
- BEARING HOUSINGS ~ ITEMS 16 & 26 HAVE 2 O'RINGS (ITEM 31) PER HSG.

PARTS LIST

REF. NO.	PART NO.	QTY.	DESCRIPTION
1	6488-06	1	BASE, SCROLL
2	9435	6	TAPER PIN
3	6488-19	2	EXHAUST HOUSING
4	6488-04	1	SHROUD C.C.W. END
5	6488-02	1	ROTOR
6	9425	21	SPRING, BEARING PRELOAD
7	6488-14	1	PRESSURE RING
8	6488-16	2	OIL FEED
9	9426	1	O'RING, END CAP
10	2942	1	PICK UP ASSEMBLY
11	2449	1	SCREW
12	6488-13	1	SPEED PICKUP GEAR
13	2933	8	SCREW
14	6488-17	1	END CAP
15	4186	4	SCREW
16	6488-09	1	BEARING HOUSING (PICKUP END)
17	9428	4	SCREW
18	9429	4	O'RING, OIL FEED
19	2714-CER	2	BALL BEARING, CERAMIC
20	6488-10	2	LABYRINTH SEAL (BEARING SPACER)
21	6488-07	1	ROTOR SHAFT
22	9430	2	O'RING, SHROUD
23	9431	28	SCREW
24	6145	8	SCREW
25	9432	4	SCREW
26	6488-08	1	BEARING HOUSING (INTERFACE END)
27	6488-11	1	SEAL RING
28	9433	1	SCREW
29	6488-12	1	SPLINE
30	6488-36	2	SEAL (OUTBOARD)
31	----	4	O'RING (#2-030 VITON)
32	6488-20	1	SHIM
33	9445	7	SCREW
34	6488-03	1	SHROUD C.W.END
35	4242	18	BOLT, HEX
36	9434	14	NUT, HEX
37	4219	48	WASHER
38	6488-18	1	ASSEMBLY, CASE
39	6488-21	1	SUPPORT BASE

CHARACTERISTIC SYMBOLS		TOLERANCE	UNLESS OTHERWISE NOTED	REV	DESCRIPTION	DATE	BY
STRAIGHTNESS	\perp	0.015	UNLESS OTHERWISE NOTED	USED ON	BARBOUR STOCKWELL CO.		
FLATNESS	\parallel	0.015	UNLESS OTHERWISE NOTED	DATE	330 THIRD STREET		
ROUNDNESS	\circ	0.005	UNLESS OTHERWISE NOTED	MATERIAL	CAMBRIDGE, MASS 02142		
CIRCULARITY	\circ	0.005	UNLESS OTHERWISE NOTED	DRAWN			
POSITION	\oplus	0.015	UNLESS OTHERWISE NOTED	DATE			
CYLINDRICITY	⌀	0.015	UNLESS OTHERWISE NOTED	APPROVED			
CONCENTRICITY	⊙	0.015	UNLESS OTHERWISE NOTED	DATE			
PROFILE OF A LINE	≡	0.015	UNLESS OTHERWISE NOTED	DATE			
SYMMETRY	≡	0.015	UNLESS OTHERWISE NOTED	DATE			
CIRCULAR RUNOUT	⌀	0.015	UNLESS OTHERWISE NOTED	DATE			
TOTAL RUNOUT	⌀	0.015	UNLESS OTHERWISE NOTED	DATE			

R.I.T.
65,000 RPM
DRAWING NUMBER 6488-00
SCALE 2:1
SHEET 1 OF 1