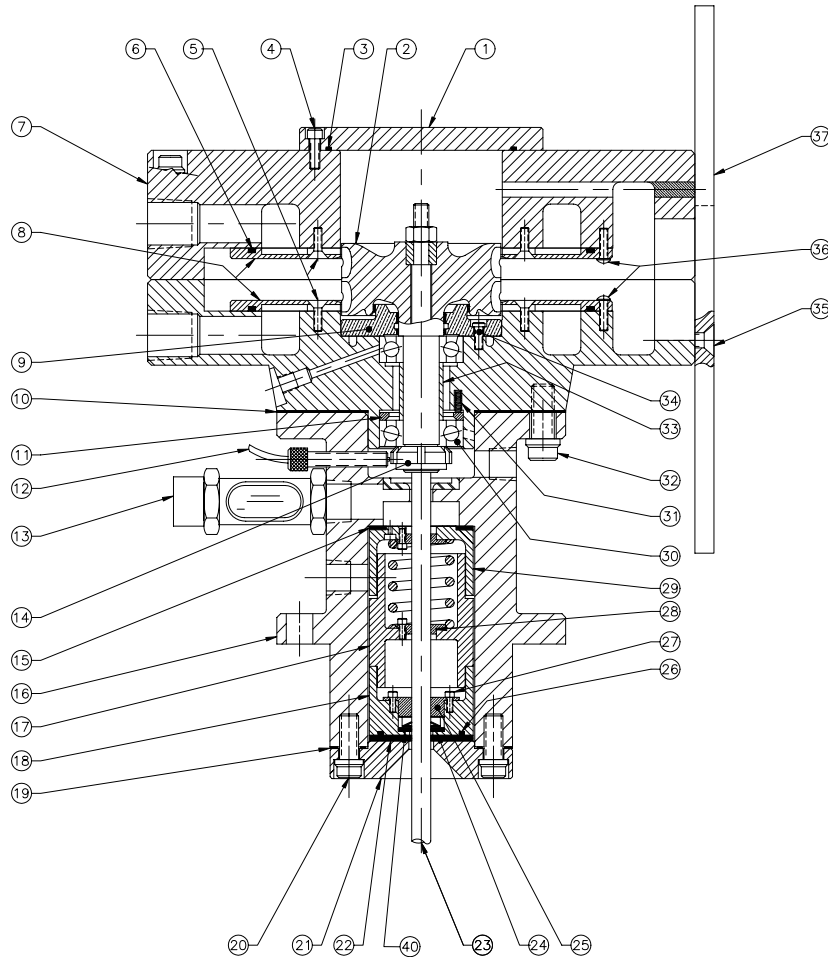


THIS DRAWING IS THE PROPERTY OF BARBOUR STOCKWELL COMPANY, AND CONTAINS PROPRIETARY AND CONFIDENTIAL INFORMATION. THE DRAWING IS LOANED ON THE EXPRESS CONDITION THAT NEITHER IT NOR THE INFORMATION CONTAINED HEREIN SHALL BE DISCLOSED TO OTHERS WITHOUT THE EXPRESS CONSENT OF THE CORPORATION AND THAT THE INFORMATION SHALL BE USED BY THE RECIPIENT ONLY AS APPROVED EXPRESSLY BY THE CORPORATION. ALSO THE DRAWING SHALL BE RETURNED TO THE CORPORATION UPON ITS REQUEST.



PARTS LIST

REF NO	PART NO.	QTY	DESCRIPTION
1	7890-006	1	CAP, TURBINE
2	7890-009	1	ROTOR ASSEMBLY
3	7890-013	1	O'RING
4	7890-014	3	SCREW
5	1321	24	SCREW
6	1318	2	O'RING, NOZZLE PLATE
7	7890-010	1	NOZZLE BOX ASSEMBLY
8	7890-003	2	NOZZLE PLATE
9	7890-004	1	LABYRINTH SEAL
10	2491-2	1	GASKET
11	2855	1	PRESSURE RING
12	2942	1	MAGNETIC PICKUP
13	1208	1	SIGHT GLASS
14	2863	1	ROTOR LOCKNUT
15	2489	1	DAMPER SEAL, UPPER
16	7890-005	1	DAMPER HOUSING
17	2481	1	DAMPING RING
18	2480	1	DAMPER SEAL CASE
19	1128	1	GASKET
20	2449	4	SCREW
21	2432	1	CAP, DAMPER HOUSING
22	2540-V	1	DAMPER SEAL LOWER
23	2529R	1	SPINDLE (OPTIONAL)
24	6045-V	1	OIL SEAL
25	2545	1	BUSHING, DAMPER
26	2732	1	O'RING, DAMPER
27	1040	10	SCREW
28	2527	2	BUSHING, DAMPER
29	2482	1	DAMPING DISK
30	2423-CER	2	BALL BEARING
31	2852	6	SPRING, BEARING PRELOAD
32	1222	4	SCREW
33	2854	1	BEARING SPACER
34	7890-015	3	SCREW
35	7890-016	4	SCREW
36	1320	16	SCREW
37	7890-008	1	ADAPTER PLATE, EXHAUST
38	6716	3	O'RING, ROTOR CAVITY/BALANCE AIR
39	2-004-FKM	1	O'RING, LIQUID LUBE
40	2539	1	SEAL WASHER

NOT SHOWN

NOTES:

1. WHEN ORDERING PARTS, SERIAL # STAMPED ON B.S. Co. NAMEPLATE SHOULD BE INCLUDED.
2. REFER TO DRAWING #7890-050 FOR TURBINE INSTALLATION.
3. FOR PARTS LIST PURPOSES, PORTIONS OF THIS DRAWING ARE SHOWN OUT OF TRUE POSITION.

CHARACTERISTIC SYMBOLS				TOLERANCE	UNLESS OTHERWISE NOTED	REV	DESCRIPTION	DATE	BY
STRAIGHTNESS	—	PERPENDICULARITY:	⊥	XX 9 .010	DRAWN J. ROBERTS DATE 2/15/95	USED ON	BARBOUR STOCKWELL CO		
FLATNESS	—	PARALLELISM	∥	XXX 1 .005		APPROVED	7890	83 LINSKEY WAY CAMBRIDGE, MASS 02142	
ROUNDNESS:	○	POSITION	⊕	XXXX 1 .0005	FINISH MICRONS EXCEPT AS NOTED	DATE			
CIRCULARITY	○	CONCENTRICITY	⊙	XXXXX 1 .30		APPROVED			
CYLINDRICITY	∩	SYMMETRY	≡		HEAT TREAT	DATE			
PROFILE OF A LINE	—	CIRCULAR RUNOUT	↗		APPROVED	DATE			
PROFILE OF A SURFACE	—	TOTAL RUNOUT	↗		DATE				
ANGULARITY	∠								

ASSEMBLY	DATE	BY
2" BI-DIRECTIONAL TURBINE		
DRAWING NUMBER	7890-000	REV
SCALE	FULL	SHEET 1 OF 1