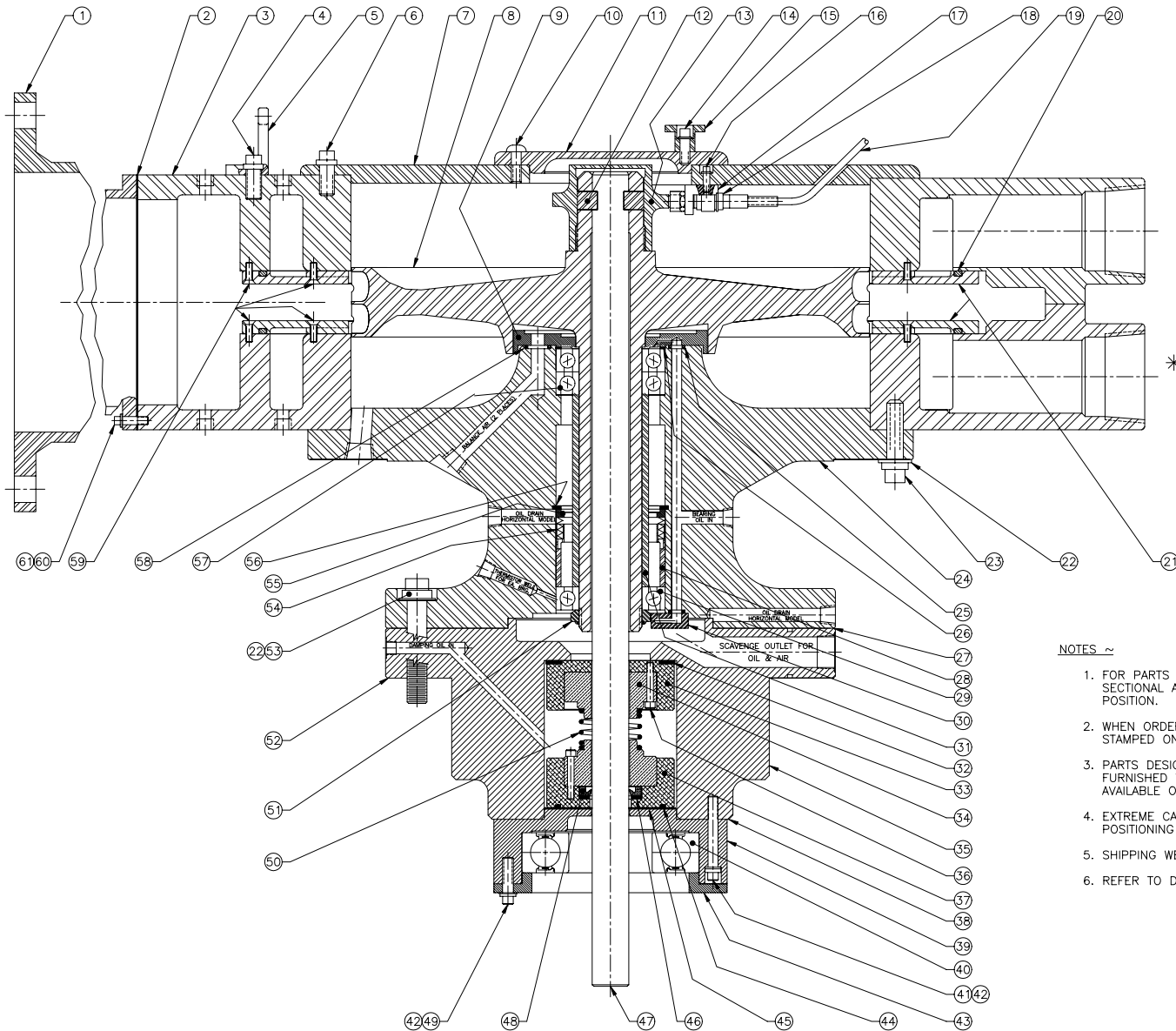


THIS DRAWING IS THE PROPERTY OF BARBOUR STOCKWELL COMPANY, AND CONTAINS PROPRIETARY AND CONFIDENTIAL INFORMATION. THE DRAWING IS LOANED ON THE EXPRESS CONDITION THAT NEITHER IT NOR THE INFORMATION CONTAINED HEREIN SHALL BE DISCLOSED TO OTHERS WITHOUT THE EXPRESS CONSENT OF THE CORPORATION AND THAT THE INFORMATION SHALL BE USED BY THE RECIPIENT ONLY AS APPROVED EXPRESSLY BY THE CORPORATION. ALSO THE DRAWING SHALL BE RETURNED TO THE CORPORATION UPON ITS REQUEST.



PARTS LIST				PARTS LIST			
REF NO.	PART NO.	QTY	DESCRIPTION	REF NO.	PART NO.	QTY	DESCRIPTION
51	9033	1	BEARING LOCKNUT	1	9017	1	EXHAUST ADAPTER ~ STD. 10" FLANGE
52	9041	1	GASKET, MOUNTING	2	9019	1	GASKET ~ EXHAUST ADAPTER
53	7038	12	SCREW	3	9002	1	NOZZLE BOX ASSEMBLY
54	9048	36	SPRING	4	2472	6	SCREW
55	9008	1	PRESSURE RING	5	9020	2	LIFTING EYE
56	9047	1	RETAINING RING	6	9029	12	SCREW
57	9034	2	BEARING	7	9013	1	COVER ADAPTER PLATE
58	7033	2	O'RING	8	9001	1	ROTOR
59	9439	128	SCREW	9	9004	1	SEAL
60	1016	24	SCREW ~ 12 EXHAUST ADAPTER/12 LABYRINTH SEAL-NOT SHOWN	10	7039	6	SCREW
61	6122	12	WASHER	11	9014	1	ACCESS COVER
ITEMS NOT SHOWN							
-	7048	4	WASHER	12	9012	2	KEY ~ SPINDLE, UPPER
-	1214	1	SET SCREW ~ NOT SHOWN	13	9010	1	ROTOR NUT (60 LOBES)
-	7068	3	PIPE PLUG ~ BEARING HOUSING	14	4203	2	SCREW
-	9039	4	SCREW ~ BEARING HOUSING	15	9046	2	LIFTING KNOBS
-	9042	1	LIMITS PLATE	16	1118	4	SCREW ~ 2 MTD. BRKT./2 OIL NOZZLE SEG. NOT SHOWN
-	4300	1	SERIAL No. PLATE	17	9015	1	MOUNTING BRACKET ~ MAGNETIC PICKUP
-	4200	8	DRIVE SCREW ~ 4 LIMITS PLATE/4 SERIAL No. PLATE	18	2433	1	MAGNETIC PICK UP
-	4253	1	DOWEL ~ BEARING HOUSING TO SEAL	19	1895	1	CABLE ASSEMBLY, MAGNETIC PICK UP
-	9049	2	PIPE PLUG ~ THERMISTOR, BRG.HSG.	20	9060	2	O'RING
-	9051	1	PIPE PLUG ~ DRAIN ~ BRG.HSG.	21	9005	2	NOZZLE PLATE
-	4163	1	SCREW	22	7049	24	WASHER
-	9062	1	PIPE PLUG	23	9032	12	SCREW
-	9025	1	COUPLING TYPE SPINDLE (SEE INSTALLATION DRWG #9050)	24	9003	1	BEARING HOUSING
				25	4234	3	O'RING ~ 2 TOP, ONE BOTTOM BRG. HSG.
				26	7062	1	LAMINATED SHIM
				27	9018	1	GASKET ~ UNIVERSAL
				28	9009	1	BEARING PRELOAD SLEEVE
				29	9045	1	BEARING
				30	9011	1	OIL NOZZLE SEGMENT
				31	9007	1	BEARING SPACER SLEEVE
				32	7094	1	DAMPER SEAL, UPPER
				33	9023	1	DAMPER CASE ~ UPPER
				34	9021	2	BUSHING
				35	9024	1	DAMPER HOUSING
				36	9037	16	SCREW
				37	9022	1	DAMPER CASE ~ LOWER
				38	7017	1	GASKET
				39	7016-20	1	GUIDE BEARING HOUSING
				40	7035	1	BEARING
				41	9038	8	SCREW
				42	4208	16	WASHER
				43	7018	1	GUIDE BEARING HOUSING CAP
				44	9036	1	O'RING
				45	9065	1	DAMPER SEAL, LOWER
				46	9026	1	WASHER
				47	9025B	1	SPINDLE BLANK (OPTIONAL)
				48	9043	1	SEAL
				49	4207	8	SCREW
				50	7005	1	SPRING

NOTES ~

- FOR PARTS LIST PURPOSES, PORTIONS OF THIS SECTIONAL ASSEMBLY ARE SHOWN OUT OF TRUE POSITION.
- WHEN ORDERING TURBINE PARTS, SERIAL NUMBER STAMPED ON B.S.Co. NAMEPLATE SHOULD BE INCL.
- PARTS DESIGNATED * ARE ACCESSORIES NOT FURNISHED WITH BASIC TURBINE ASSEMBLIES BUT AVAILABLE ON REQUEST.
- EXTREME CARE MUST BE USED IN THE HANDLING, POSITIONING & ALIGNING OF MATING PARTS.
- SHIPPING WEIGHT OF TURBINE IS APPROX. 2250lbs.
- REFER TO DRAWING #9050 FOR TURBINE INSTALLATION.

CHARACTERISTIC SYMBOLS		TOLERANCE	UNLESS OTHERWISE NOTED	REV	DESCRIPTION	DATE	BY
STRAIGHTNESS	—	PERPENDICULARITY: SQUARENESS	⊥	USED ON	BARBOUR STOCKWELL CD		
FLATNESS	▭	PARALLELISM	∥		CAMBRIDGE, MASS 02142		
ROUNDNESS: CIRCULARITY	○	POSITION	⊕	DRAWN			
CYLINDRICITY	⊘	CONCENTRICITY	⊙	DATE			
PROFILE OF A LINE	⌒	SYMMETRY	≡	12/6/99			
PROFILE OF A SURFACE	⌒	CIRCULAR RUNOUT	↻	APPROVED			
ANGULARITY	∠	TOTAL RUNOUT	↻	DATE			
				07/30/91			
				HEAT TREAT			
				SIZE	D	DRAWING NUMBER	9000
				APPROVED			
				DATE			
				SCALE	1/2	SHEET	1 OF 1

VERTICAL 20" TURBINE ASSEMBLY

