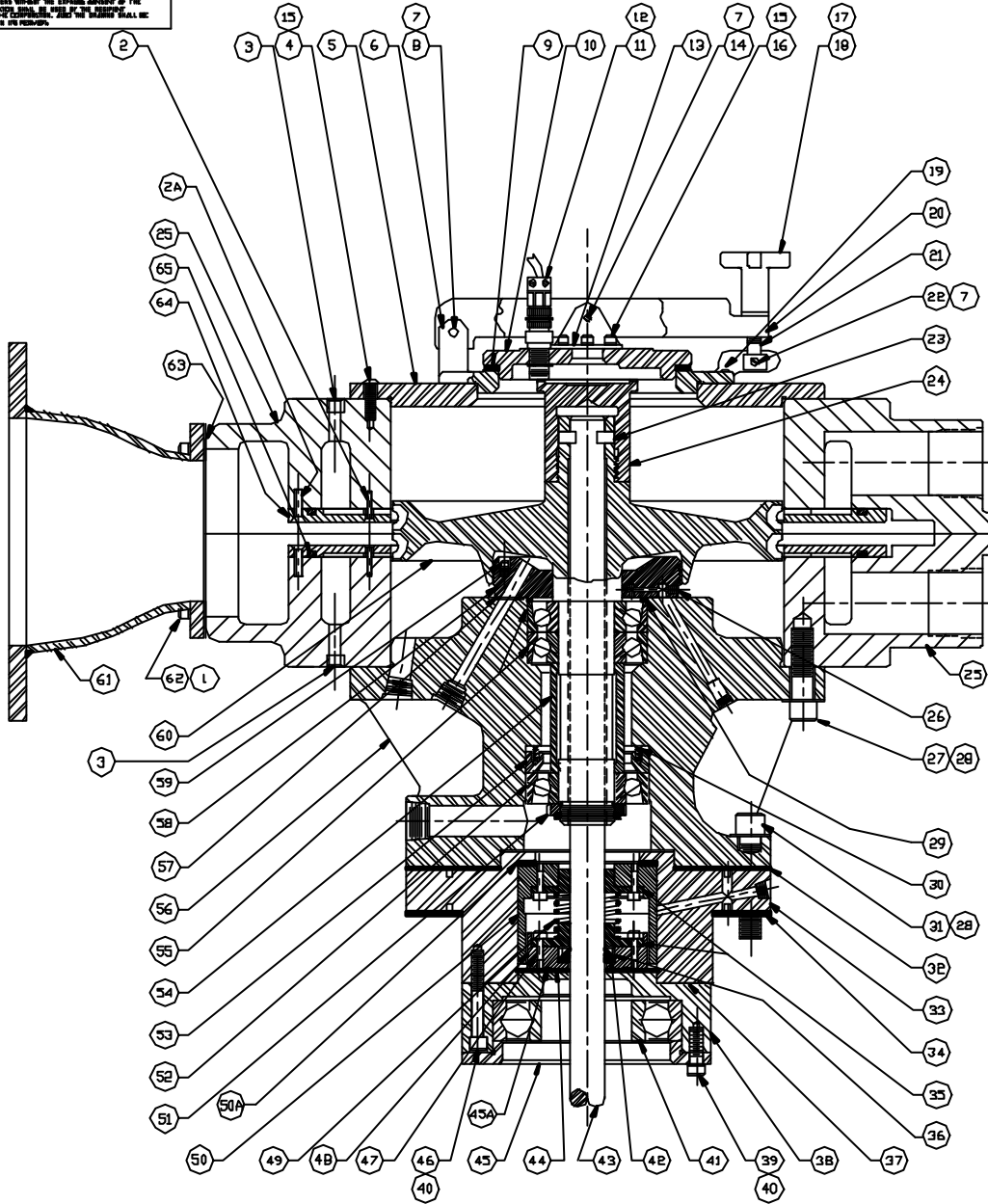


THIS DRAWING IS THE PROPERTY OF GEORGIA POWER CORPORATION, AND ANY REPRODUCTION OR DISSEMINATION OF THIS DRAWING WITHOUT THE WRITTEN PERMISSION OF GEORGIA POWER CORPORATION IS STRICTLY PROHIBITED. THE DESIGN OF THIS DRAWING IS THE PROPERTY OF GEORGIA POWER CORPORATION AND ANY REPRODUCTION OR DISSEMINATION OF THIS DRAWING WITHOUT THE WRITTEN PERMISSION OF GEORGIA POWER CORPORATION IS STRICTLY PROHIBITED.



PARTS LIST				PARTS LIST			
REF. NO.	PART NO.	QTY.	DESCRIPTION	REF. NO.	PART NO.	QTY.	DESCRIPTION
1	7110	12	WASHER	39	1207	8	SCREW
2	0428	08	SCREW	40	4200	24	GASKET
3A	0429	24	SCREW	41	7035	1	BALL BEARING, CATCHER
3	7160	2	PIPE PLUG	42	7015	1	SEAL WASHER
4	7139	12	SCREW	43	7043	1	SPINDLE (X)
5	7122	1	COVER ADAPTER PLATE	44	7098	1	DAMPER SEAL
6	4534	1	COVER RING	45	7018	1	HOUSING CAP, GUIDE BEARING
7	4183	8	CUTTER PIN	45A	7101	1	O-RING
8	4191	1	PIN	46	1209	8	SCREW
9	4307	1	GASKET	47	7021	16	SCREW
10	4525	1	COVER	48	7096	1	SEAL CASE
11	2433	1	MAGNETIC PICKUP	49	7013	1	DAMPER SPRING
12	1095	1	CABLE, MAGNETIC PICKUP	50	7095	1	DAMPING CUP
13	4235	1	BLANKING PLATE	50A	7094	1	UPPER DAMPER SEAL
14	4183	2	PIN	51	7041	1	BEARING LOCKOUT
15	4205	3	WASHER	52	7034	1	BALL BEARING, LOWER ROTOR
16	4106	3	SCREW	53	7017	1	PRELOAD RING
17	4237	1	WASHER	54	7016	1	BEARING SPACER
18	4193	1	HAND KNOB	55	7034-DL	1	BALL BEARING PAIR (MATCHED SET)
19	4215	12	SCREW	56	7023	1	BEARING HOUSING
21	4177	1	PIVOT ARM	57	7033	3	O-RING
21	4192	1	SWING BOLT	58	7020	1	SEAL
22	4189	1	PIN	59	7042	6	SCREW
23	7135	2	UPPER DRIVE KEY	60	7001	1	ROTOR
24	7124	1	ROTOR NUT	61	7028	1	EXHAUST WELDMENT
25	7003	1	NOZZLE BOX ASSEMBLY	62	7054	8	SCREW
26	7041	1	SCREW	63	7030	1	GASKET
27	7137	12	SCREW	64	7002-AXX	2	NOZZLE PLATE
28	7149	22	WASHER	65	7102	2	O-RING
29	7162	1	LAMINATED SHIM, BEARING	NS	7054	3	EYE BOLT
31	7008	16	SPRING	NS	7063	1	LIMITS PLATE
31	7138	6	SCREW	NS	4300	1	SERIAL NUMBER PLATE
32	7021	1	GASKET	NS	4163	1	SCREW
33	7019	1	DAMPER HOUSING	NS	4200	8	DRIVE SCREW
34	7129	1	GASKET, MOUNTING	NS	7061	2	SCREW
35	7009	2	BUSHING	NS	7059	2	HEX NUT
36	7132	1	LIP SEAL	NS	7058	40	WASHER
37	7017	1	GASKET	NS	7057	80	HEX NUT
38	7016	1	GUIDE BEARING HOUSING	NS	7056	80	SCREW
				NS	7052	3	SCREW (FASTENS REFNO4 TO #67)
				NS	4253	1	DOVEL PIN (LOCATING)

NOTES:  
 A. FOR PARTS LIST PURPOSES, PORTIONS OF THIS SECTIONAL ASSEMBLY ARE SHOWN OUT OF TRUE POSITION AND/OR SCALE.  
 B. WHEN ORDERING TURBINE PARTS, SERIAL NO. STAMPED ON B.S. Co. NAMEPLATE SHOULD BE INCLUDED.  
 C. PARTS DESIGNATED BY (X) ARE ACCESSORIES NOT FURNISHED WITH BASIC TURBINE ASSEMBLIES BUT ARE AVAILABLE ON REQUEST.  
 D. EXTREME CARE MUST BE USED IN THE HANDLING, POSITIONING AND ALIGNING OF MATING PARTS.  
 E. SHIPPING WEIGHT OF TURBINE APPROXIMATELY 1,200 LBS.  
 F. REFER TO DRAWING 7050 FOR TURBINE INSTALLATION.

CHARACTERISTIC SYMBOLS		FINISHES	IN TO	REV	DESCRIPTION	DATE	BY
STRAIGHTNESS	—	PERPENDICULARITY	⊥		USED ON		
FLATNESS	—	SQUARENESS	⊞		BARBULAR STICK/VELL CO		
ROUNDNESS	○	PARALLELISM	∥		300 THIRD STREET		
CIRCULARITY	○	POSITION	⊕		CAMPBELL 92142		
CYLINDRICITY	⊘	CONCENTRICITY	⊙				
ROUNDED END OF A LINE	⌒	SYMMETRY	≡				
ROUNDED END OF A SURFACE	⌒	CIRCULAR RUNOUT	⊘				
ANGULARITY	∠	TOTAL RUNOUT	⊘				

14" TURBINE	DRAWING NUMBER	7000	REV	B	
SCALE	1:2	SHEET	1	OF	1