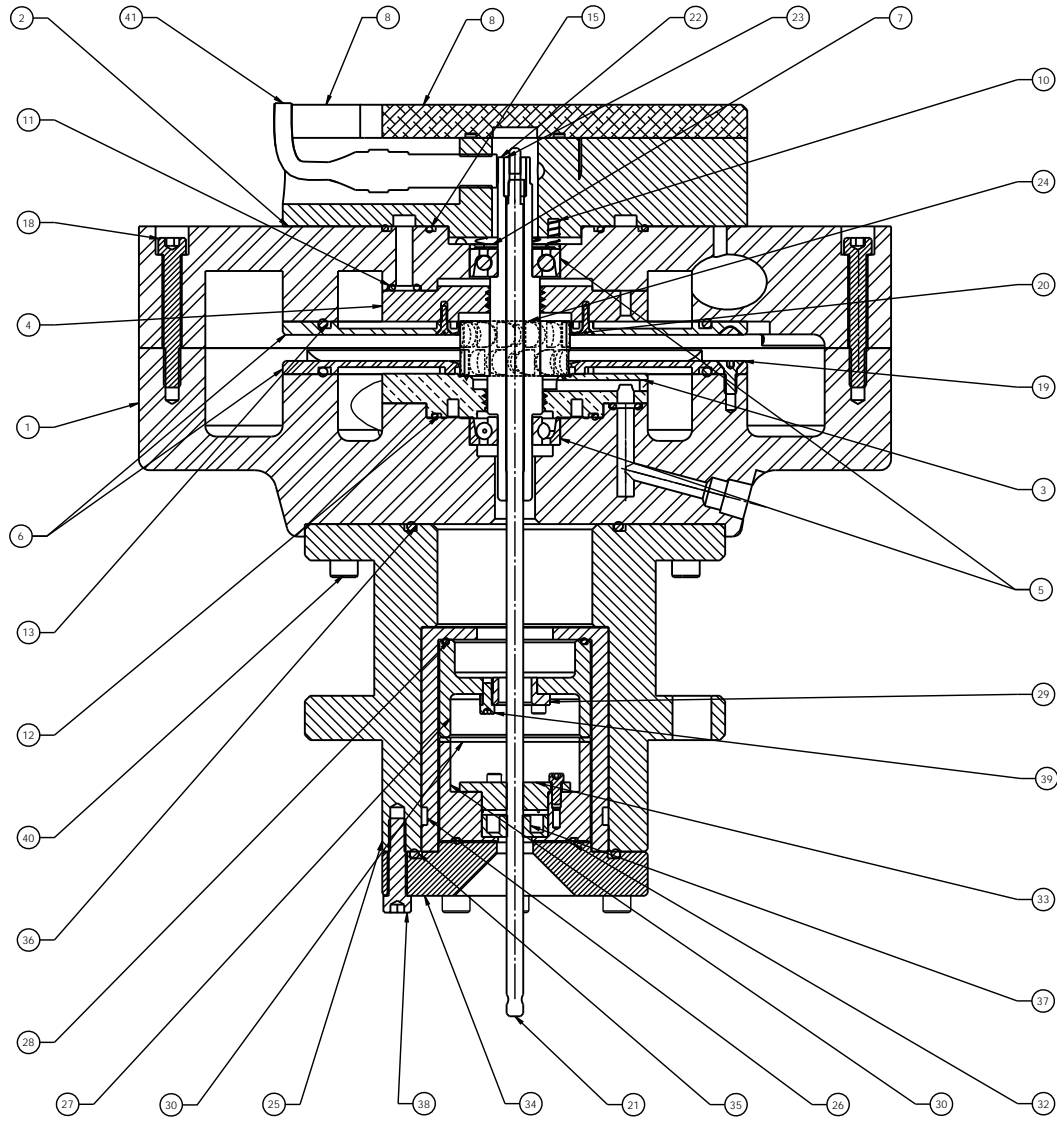


ALL DIMENSIONS CONTAINED IN THIS DRAWING & THE DATA HEREON OF BARBOUR STOCKWELL, INC. ARE REPRODUCED IN PART OR WHOLE WITHOUT THE WRITTEN PERMISSION OF BARBOUR STOCKWELL, INC. IS PROHIBITED.



ITEM NO	Part No	DESCRIPTION	QTY
1	9521-001	NOZZLE BOX LOWER	1
2	9521-010	NOZZLE BOX UPPER	1
3	2125	LAB SEAL	1
4	2127	LABYRINTH SEAL, UPPER	1
5	1119C	BALL BEARINGS	2
6	2145	Nozzle Plate Lower	2
7	3105	Pressure Ring	1
8	2133	TOP COVER	1
9	2131-3	Upper Cover TC-3	1
10	1139	Spring, Bearing Preload	6
11	2-009	O-Ring	8
12	2-031	O-Ring	1
13	2-156	O-Ring	2
14	2-040	O-Ring	1
15	2-032	O-Ring	1
16		#6-32 X 0.5 SHCS	4
17		#10-24 X 1 SHCS	8
18		#10-24 X 1.5 SHCS	10
19		#6-32 X 0.375 LG FLAT HEAD SCREW	16
20		#2-56 X 0.375 LG FLAT HEAD SCREW	24
21	1307-RH	SPINDLE	1
22	2123	Shaft	1
23	9521-013	Rotor Bushing	1
24	2122	Rotor BIDIRECTIONAL	1
25	10600-517	Damper Housing	1
26	10600-517	Damper Housing Sleeve	1
27	2175	Damper Cup Upper	1
28	2-029	O-Ring Damper Cup Upper	1
29	1302	Upper Damper Bushing	1
30	2176	Damper Cup Lower	1
31	10600-515	Shim Damper	1
32	2-026	O-Ring Damper Cup Lower	1
33	2543	Lower Damper Bushing	1
34	10600-520	Damper End Cap	1
35	2-139	O-Ring Damper End Cap	1
36	2-140	O-Ring Damper Housing to NB	1
37	3114	OIL SEAL	1
38		#10-32 X 0.875 SHCS	6
39		#2-48 X 0.25 SHCS	7
40		#10-24 X 0.75 SHCS	6
41	TC-3-30	TC-3 SPEED SENSOR	1

DESIGN	DATE	APPROVED	DATE
REVISION	DATE	APPROVED	DATE
		BARBOUR STOCKWELL INCORPORATED 65 SOUTH BRIDGE WOBURN, MA 01897 USA	
UNAPPROVED FOR:		TITLE: AIR TURBINE 200,000 RPM	
APPLICATION:		2100	
SCALE:		200%	