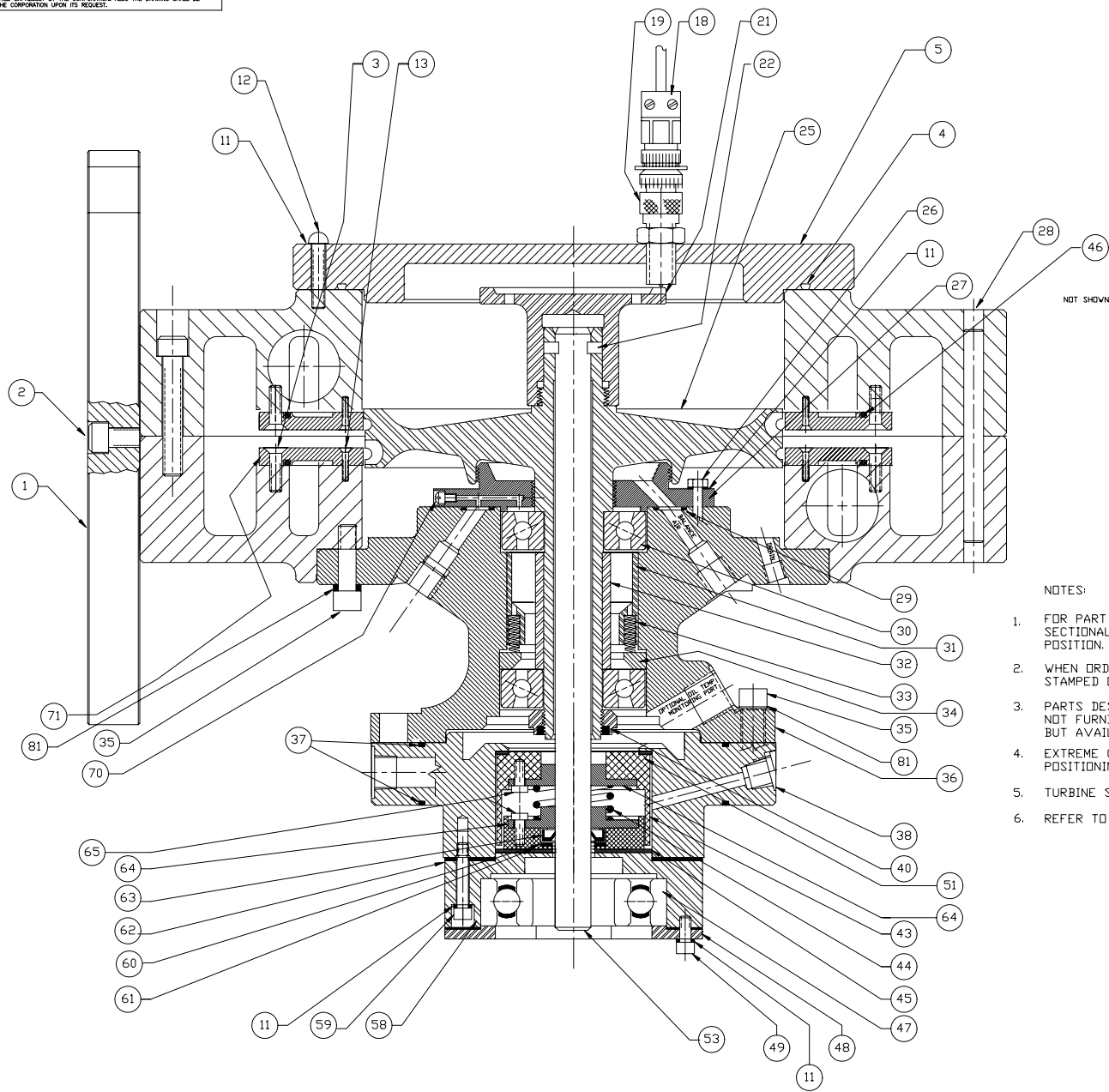


THIS DRAWING IS THE PROPERTY OF BARBOUR STOCKWELL COMPANY, AND CONTAINS PROPRIETARY AND CONFIDENTIAL INFORMATION. THE DRAWING IS LOANED ON THE EXPRESS CONDITION THAT NEITHER IT NOR THE INFORMATION CONTAINED HEREIN SHALL BE DISCLOSED TO OTHERS WITHOUT THE EXPRESS CONSENT OF THE CORPORATION AND THAT THE INFORMATION SHALL BE USED BY THE RECIPIENT ONLY AS APPROVED EXPRESSLY BY THE CORPORATION. ALSO THE DRAWING SHALL BE RETURNED TO THE CORPORATION UPON ITS REQUEST.



REF. NO.	PART NO.	QTY	DESCRIPTION
48	4168	1	GUIDE BEARING HOUSING CAP
49	4204	4	SCREW
51	4222	1	SEAL, UPPER
53	6049	1	SPINDLE-SOLID
54	5003	1	SPINDLE-SOLID
55	3057	1	SPINDLE-HOLLOW
58	5005	1	GUIDE BEARING HOUSING
59	4206	8	SCREW
60	4164	1	SEAL WASHER
61	4123	1	DAMPER CASE
62	4153	1	GASKET
63	5011	1	OIL SEAL
64	5010	2	DAMPER BEARING
65	6191	12	SCREW
67	N/A	N/A	N/A
68	N/A	N/A	N/A
70	4243	1	SCREW
71	4157-A90	2	NOZZLE PLATE
79	4163	1	SCREW (USED IN 4276 ASSEM)
80	4253	1	SEAL LOCATING PIN
81	4208	22	GASKET

REF. NO.	PART NO.	QTY	DESCRIPTION
1	4868	1	FLANGE, EXHAUST
2	120-6-8	4	SCREW
3	4102	24	SCREW
4	2-269	1	O-RING
5	8960-111	1	CAP
11	4205	12	GASKET
12	150-420-10	12	BUTTON HEAD SCREWS
13	2934	86	SCREW
18	1895	1	CABLE, MAGNETIC PICK UP
19	2433	1	MAGNETIC PICK UP
21	5009	1	ROTOR NUT
22	5055	1	KEYS-UPPER
25	5061	1	ROTOR
26	4202	6	SCREW
27	4175	1	SEAL
28	4149	1	NOZZLE BDX ASSEM.
29	4234	3	O RING
30	4109	2	BALL BEARING
31	4180	1	PREDLOAD SLEEVE
32	4174	1	BEARING SPACER
33	4287	8	SPRING-PREDLOAD
34	4286	1	PRESSURE RING
35	4207	14	SCREW
36	4154	1	BEARING HOUSING
37	2-162 FKM	2	O RING
38	4158	1	DAMPER HOUSING
40	4195	1	BEARING LOCKNUT
43	6180	1	DAMPER CASE
44	5004	1	DAMPER BEARING SPRING
45	6190	1	DAMPER WASHER
46	4103	2	O-RING
47	4167	1	BALL BEARING

NOTES:

- FOR PART LIST PURPOSES, PORTIONS OF THIS SECTIONAL ASSEMBLY ARE SHOWN OUT OF TRUE POSITION.
- WHEN ORDERING TURBINE PARTS, SERIAL NO. STAMPED ON B.S.CO NAMEPLATE SHOULD BE INCLUDED.
- PARTS DESIGNATED BY \* ARE ACCESSORIES, NOT FURNISHED WITH BASIC TURBINE ASSEMBLY, BUT AVAILABLE UPON REQUEST.
- EXTREME CARE MUST BE USED IN THE HANDLING POSITIONING & ALIGNING OF MATING PARTS.
- TURBINE SHIPPING WEIGHT IS APPROX. 250 LBS.
- REFER TO DRAWING #4266 FOR TURBINE INSTALLATION.

CHARACTERISTIC SYMBOLS		TOLERANCE	UNLESS OTHERWISE NOTED	REV	DESCRIPTION	DATE	BY
STRAIGHTNESS	—	.0005		1	USED ON BARBOUR STOCKWELL CO.		
PERPENDICULARITY	⊥	.0005			300 THIRD STREET		
SQUARENESS	⊥	.0005			CAMBRIDGE, MASS 02142		
PARALLELISM	∥	.0005					
POSITION	⊕	.0005					
CYCLINDRICITY	⊘	.0005					
CONCENTRICITY	⊙	.0005					
SYMMETRY	≡	.0005					
CIRCULAR RUNOUT	↗	.0005					
TOTAL RUNOUT	↗	.0005					

APPROVED	DATE	2/4/99
APPROVED	DATE	
APPROVED	DATE	

DRAWN N. W. F. M. S.		DATE	
APPROVED		DATE	
APPROVED		DATE	

SIZE	D	DRAWING NUMBER	4146-750	REV	F
SCALE	1/1	SHEET	1 of 1		

8" VERTICAL TURBINE  
3/4 DIA. SPINDLE