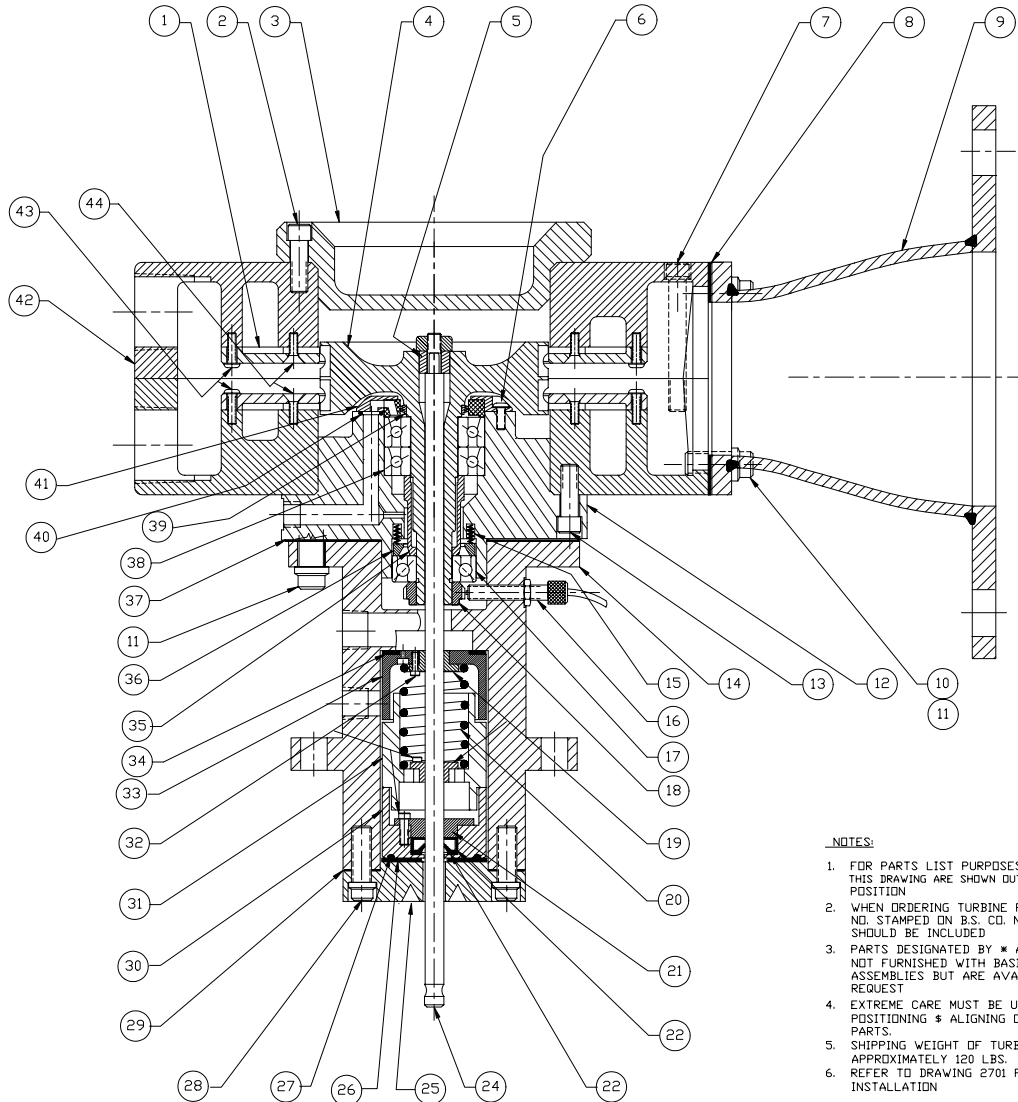


THIS DRAWING IS THE PROPERTY OF BARBOUR STOCKWELL COMPANY, AND CONTAINS PROPRIETARY AND CONFIDENTIAL INFORMATION. THE DRAWING IS LOANED ON THE EXPRESS CONDITION THAT NEITHER IT NOR THE INFORMATION CONTAINED HEREIN SHALL BE DISCLOSED TO OTHERS WITHOUT THE EXPRESS CONSENT OF THE CORPORATION AND THAT THE INFORMATION SHALL BE USED BY THE RECIPIENT ONLY AS APPROVED EXPRESSLY BY THE CORPORATION. ALSO THE DRAWING SHALL BE RETURNED TO THE CORPORATION UPON ITS REQUEST.



**NOTES:**

1. FOR PARTS LIST PURPOSES, PORTIONS OF THIS DRAWING ARE SHOWN OUT OF TRUE POSITION
2. WHEN ORDERING TURBINE PARTS, SERIAL NO. STAMPED ON B.S. CO. NAMEPLATE SHOULD BE INCLUDED
3. PARTS DESIGNATED BY \* ARE ACCESSORIES NOT FURNISHED WITH BASIC TURBINE ASSEMBLIES BUT ARE AVAILABLE UPON REQUEST
4. EXTREME CARE MUST BE USED IN THE POSITIONING \* ALIGNING OF MATING PARTS.
5. SHIPPING WEIGHT OF TURBINE IS APPROXIMATELY 120 LBS.
6. REFER TO DRAWING 2701 FOR TURBINE INSTALLATION

\* NOT SHOWN

**PARTS LIST**

REF. NO.	PART NO.	QTY.	DESCRIPTION
1	2704A	2	NOZZLE PLATE
2	1118	4	SCREW
3	2778	1	CAP
4	2726	1	ROTOR
5	2516	1	BUSHING, ROTOR
6	2743	6	SCREW
7	1579	10	SCREW
8	2721	1	GASKET
9	6105	1	EXHAUST WELDMENT
10	4208	4	GASKET
11	1222	8	SCREW
12	2727	1	BEARING HOUSING
13	1578	6	SCREW
14	2490-4	1	DAMPER HOUSING
15	2715	18	PRELOAD SPRINGS
16	2942	1	MAGNETIC PICK-UP
17	2423	1	BALL BEARING
18	2863	1	BEARING LOCKNUT
19	2527	2	DAMPER BUSHING
20	2443	1	DAMPER SPRING
21	2545	1	DAMPER BUSHING
22	6045	1	OIL SEAL
23	2539	1	SEAL WASHER
* 24	2529-R	1	SPINDLE
25	2432	1	DAMPER HOUSING CAP
26	2540	1	DAMPER SEAL
27	2732	1	O-RING
28	2449	4	SCREW
29	1128	1	GASKET
30	2480	1	DAMPER SEAL BODY
31	2481	1	DAMPER RING
32	1040	10	SCREW
33	2482	1	DAMPER DISK
34	2489	1	SEAL, UPPER
35	2711	1	BEARING SPACER
36	2712	1	PRESSURE RING
37	2491-4	1	GASKET
38	2714	2	BALL BEARING
39	2729	1	LABYRINTH SEAL
40	2730	1	O-RING
41	2733	1	BEARING RETAINER
42	2759	1	NOZZLE BOX, ASSEMBLY
43	9452	16	#6-32 x .50 LONG, BUTTON HEAD SCREW
44	1321	34	#6-32 x .50 LONG, FLAT HEAD SCREW
-	2731	1	PIN

CHARACTERISTIC SYMBOLS		TOLERANCE	UNLESS OTHERWISE NOTED	REV	DESCRIPTION	DATE	BY
STRAIGHTNESS		±.001		USED ON	BARBOUR STOCKWELL CO.		
FLATNESS		±.001			300 THIRD STREET		
PERPENDICULARITY		±.001			CAMBRIDGE, MASS 02142		
SQUARENESS		±.001					
PARALLELISM		±.001					
ROUNDNESS		±.001					
CIRCULARITY		±.001					
CYLINDRICITY		±.001					
CONCENTRICITY		±.001					
PROFILE OF A LINE		±.001					
SYMMETRY		±.001					
CIRCULAR RUNOUT		±.001					
TOTAL RUNOUT		±.001					

COP FILE # 18-2775	DATE	8/2/89	APPROVED		SIZE	D	DRAWING NUMBER	2775	REV	E
	DATE		APPROVED		SCALE	FULL	SHEET	1 OF 1		
	4" BI-DIRECTIONAL TURBINE									
	USED ON BARBOUR STOCKWELL CO. 300 THIRD STREET CAMBRIDGE, MASS 02142									