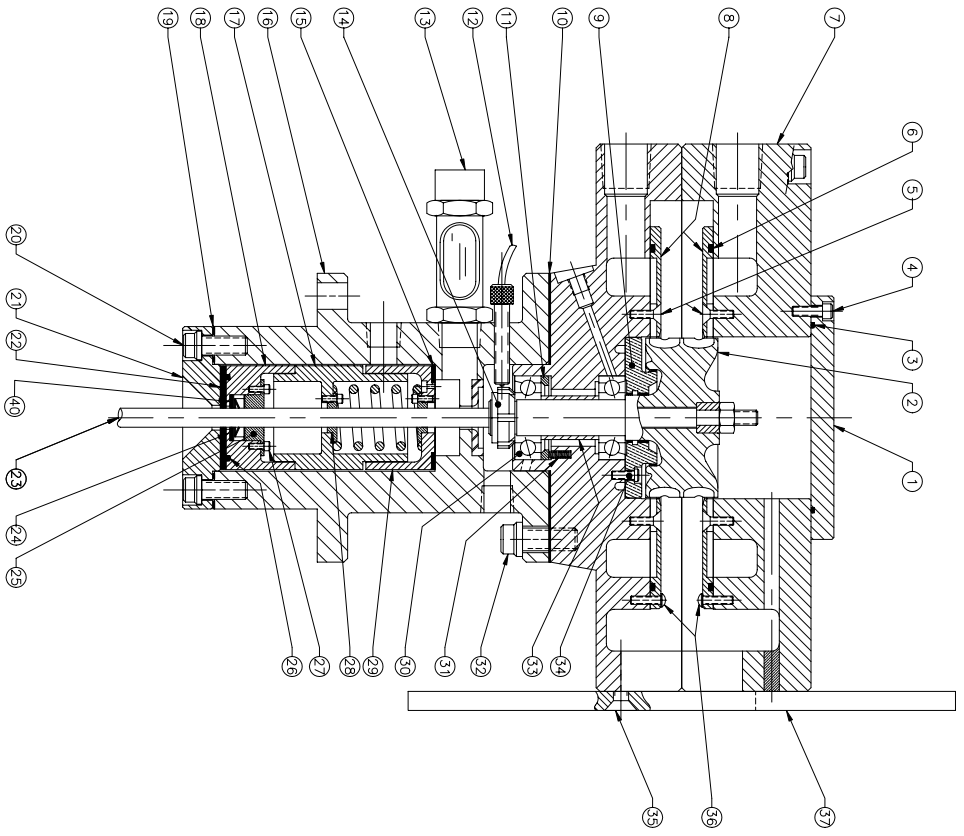


This drawing is the property of Barber-Stockwell Company, and contains confidential information. It is not to be distributed outside the company without the written consent of the company. If this drawing is to be used for any purpose other than that for which it was prepared, the user shall be held responsible for any damage or loss resulting therefrom. The company shall not be held liable for any such damage or loss.



NOT SHOWN

PARTS LIST

REF NO	PART NO.	QTY	DESCRIPTION
1	7890-006	1	CAP, TURBINE
2	7890-009	1	ROTOR ASSEMBLY
3	7890-013	1	O-RING
4	7890-014	3	SCREW
5	1321	24	SCREW
6	1318	2	O-RING, NOZZLE PLATE
7	7890-010	1	NOZZLE BOX ASSEMBLY
8	7890-003	2	NOZZLE PLATE
9	7890-004	1	LABRINTH SEAL
10	2491-2	1	GASKET
11	2855	1	PRESSURE RING
12	2942	1	MAGNETIC PICKUP
13	1208	1	SLIGHT GLASS
14	2863	1	ROTOR LOCKNUT
15	2489	1	DAMPER SEAL, UPPER
16	7890-005	1	DAMPER HOUSING
17	2481	1	DAMPING RING
18	2480	1	DAMPER SEAL CASE
19	1128	1	GASKET
20	2449	4	SCREW
21	2432	1	CAP, DAMPER HOUSING
22	2540-V	1	DAMPER SEAL LOWER
23	25298	1	SPINDLE (OPTIONAL)
24	6045-V	1	OIL SEAL
25	2545	1	BUSHING, DAMPER
26	2732	1	O-RING, DAMPER
27	1040	10	SCREW
28	2527	2	BUSHING, DAMPER
29	2482	1	DAMPING DISK
30	2423-CER	2	BALL BEARING
31	2852	6	SPRING, BEARING PRELOAD
32	1222	4	SCREW
33	2854	1	BEARING SPACER
34	7890-015	3	SCREW
35	7890-016	4	SCREW
36	1320	16	SCREW
37	7890-008	1	ADAPTER PLATE, EXHAUST
38	6716	3	O-RING, ROTOR CAVITY/BALANCE AIR
39	2-004-FKM	1	O-RING, LIQUID LUBE
40	2539	1	SEAL WASHER

- NOTES:
1. WHEN ORDERING PARTS, SERIAL # STAMPED ON B.S. CO. NAMEPLATE SHOULD BE INCLUDED.
 2. REFER TO DRAWING #7890-050 FOR TURBINE INSTALLATION.
 3. FOR PARTS LIST PURPOSES, PORTIONS OF THIS DRAWING ARE SHOWN OUT OF TRUE POSITION.

CHARACTERISTIC SYMBOLS	TO FINISH	UNLESS OTHERWISE SPECIFIED	REV	DESCRIPTION	DATE	BY
STRAIGHTNESS	—	FERRENCIQUILITY	1	USED ON BARBER-STOCKWELL CO. TURBINE	7890	ASSEMBLY
PLATNESS	□	PARALLELISM	2	2" BI-DIRECTIONAL TURBINE	7890-000	REV
ROUNDNESS	○	POSITION	3			
CIRCULARITY	⊖	CONCENTRICITY	4			
SYMMETRY	≡	FINISH	5			
CIRCULAR RUNOUT	⊖	EXCESSIVE AS NOTED	6			
TOTAL RUNOUT	⊖	HEAT TREAT	7			