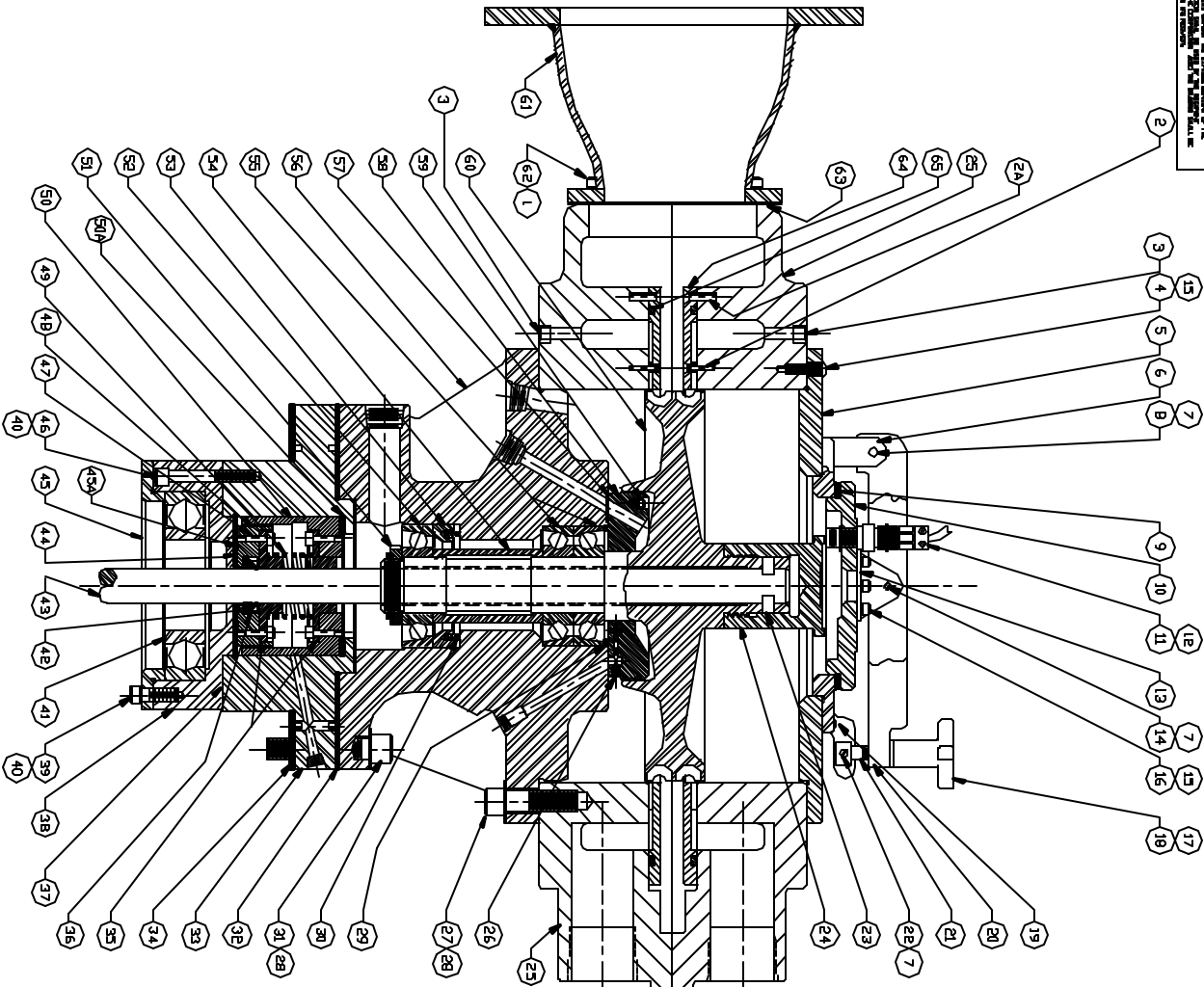


THIS DRAWING IS THE PROPERTY OF GEORGIA INSTITUTE OF TECHNOLOGY. IT IS TO BE USED ONLY FOR THE PROJECT AND FOR WHICH IT WAS PREPARED. IT IS NOT TO BE REPRODUCED OR TRANSMITTED IN ANY FORM OR BY ANY MEANS, ELECTRONIC OR MECHANICAL, INCLUDING PHOTOCOPYING, RECORDING, OR BY ANY INFORMATION STORAGE AND RETRIEVAL SYSTEM, WITHOUT THE WRITTEN PERMISSION OF THE INSTITUTION.



PARTS LIST

REF	PART NO.	QTY	DESCRIPTION	REF	PART NO.	QTY	DESCRIPTION
1	7149	12	VASHER	39	4807	2	SCOREY
2	6438	60	SCOREY	40	4820	24	IMPACT
3	6439	24	SCOREY	41	7029	1	BALL BEARING CAPSCREW
4	7149	2	PIVOT ARM	42	7028	1	SCOREY
5	7182	1	COVER ADAPTER PLATE	43	7043	1	SPRIGLE
6	4584	1	COVER RING	44	7058	1	DAFER SEAL
7	4389	8	CUTTER PIN	45	7018	1	HOUSING CAP. BLDG. BEARING
8	4191	1	PIN	46	7011	1	DRIVE
9	4387	1	GASKET	47	7004	24	SCOREY
10	4335	1	COVER	48	7006	1	SEAL GASKET
11	6433	1	MAGNETIC PICKUP	49	7015	1	DAFER SPRING
12	3899	1	CABLE, MAGNETIC PICKUP	50	7095	1	DAFERING CLIP
13	4236	1	PLUNGING PLATE	50A	7094	1	UPPER DAMPER SEAL
14	4884	2	PIN	51	7044	1	BEARING LOCKWUT
15	4875	3	VASHER	52	7034	1	BALL BEARING LOWER ROTOR
16	4966	3	SCOREY	53	7017	1	PRELOAD KING
17	4817	1	VASHER	54	7016	1	BEARING SPRINGER
18	4379	1	WAND LOCK	55	7044-RL	1	BALL BEARING PUMP OVERTURE SET
19	4316	1	SCOREY	56	7023	1	BEARING HOUSING
21	4377	1	PIVOT ARM	57	7023	3	DRIVE
21	4392	1	SWING BELT	58	7030	1	SEAL
22	4391	1	PIN	59	7048	6	SCOREY
23	7185	2	UPPER DRIVE KEY	60	7001	1	ROTOR
24	7124	1	ROTOR NUT	61	7028	1	EXHAUST VELDWEINT
25	7048	1	MIDDLE BOX ASSEMBLY	62	7034	2	SCOREY
26	7044	1	SCOREY	63	7020	1	IMPACT
27	7127	1	SCOREY	64	7028-AX	2	MIDDLE PLATE
28	7149	2	VASHER	65	7026	2	DRIVE
29	7142	1	LUBRICATED STRING BEARING	66	7024	1	TYE BELT
31	7008	1	SCOREY	67	7063	1	UNIT'S PLATE
31	7188	5	SCOREY	68	4800	1	SERIAL NUMBER PLATE
32	7021	1	GASKET	69	4813	1	SCOREY
33	7019	1	DAMPER HOUSING	70	4200	2	DRIVE SCOREY
34	7189	1	GASKET, PLUMBING	70A	7061	2	SCOREY
35	7089	2	BUSHING	71	7039	2	HEX NUT
36	7122	1	LR SEAL	72	7030	40	WASHER
37	7017	1	GASKET	73	7027	80	HEX NUT
38	7016	1	GUIDE BEARING HOUSING	74	7068	80	SCOREY
39	7062	3	SCOREY GASTENS REFNG4 TO 4677	75	7062	1	DEVEL PIN ALUMINUM
40	4233	1	DEVEL PIN ALUMINUM				

PARTS LIST

NOTES:  
 PARTS LIST PARTS PERTAINING TO THIS SECTIONAL ASSEMBLY ARE  
 A. PARTS OF THE TURBINE HOUSING  
 B. WHEN ORDERING TURBINE PARTS SERIAL NO. SHOWN ON ASS. CO. INFLUENCE  
 C. PARTS IDENTIFIED BY C, X, Y ARE ACCESSORIES NOT FURNISHED WITH BASIC  
 D. EXTERIOR CASE MUST BE LINED IN THE HOUSING, IDENTIFYING AND ALONG  
 E. SUPPORT WEIGHT OF TURBINE APPROXIMATELY 1200 LBS  
 F. REFER TO DRAWING 7000 FOR TURBINE SERIAL NUMBER

CONSTRUCTION SYMBOLS	SECTIONAL VIEW	SECTIONAL VIEW WITH REMOVAL	SECTIONAL VIEW WITH REMOVAL AND SECTIONAL VIEW WITH REMOVAL	SECTIONAL VIEW WITH REMOVAL AND SECTIONAL VIEW WITH REMOVAL	SECTIONAL VIEW WITH REMOVAL AND SECTIONAL VIEW WITH REMOVAL
1	2	3	4	5	6
7	8	9	10	11	12
13	14	15	16	17	18
19	20	21	22	23	24
25	26	27	28	29	30
31	32	33	34	35	36
37	38	39	40	41	42
43	44	45	46	47	48
49	50	51	52	53	54
55	56	57	58	59	60
61	62	63	64	65	66
67	68	69	70	71	72
73	74	75	76	77	78
79	80	81	82	83	84
85	86	87	88	89	90
91	92	93	94	95	96
97	98	99	100	101	102
103	104	105	106	107	108
109	110	111	112	113	114
115	116	117	118	119	120
121	122	123	124	125	126
127	128	129	130	131	132
133	134	135	136	137	138
139	140	141	142	143	144
145	146	147	148	149	150
151	152	153	154	155	156
157	158	159	160	161	162
163	164	165	166	167	168
169	170	171	172	173	174
175	176	177	178	179	180
181	182	183	184	185	186
187	188	189	190	191	192
193	194	195	196	197	198
199	200	201	202	203	204
205	206	207	208	209	210
211	212	213	214	215	216
217	218	219	220	221	222
223	224	225	226	227	228
229	230	231	232	233	234
235	236	237	238	239	240
241	242	243	244	245	246
247	248	249	250	251	252
253	254	255	256	257	258
259	260	261	262	263	264
265	266	267	268	269	270
271	272	273	274	275	276
277	278	279	280	281	282
283	284	285	286	287	288
289	290	291	292	293	294
295	296	297	298	299	300
301	302	303	304	305	306
307	308	309	310	311	312
313	314	315	316	317	318
319	320	321	322	323	324
325	326	327	328	329	330
331	332	333	334	335	336
337	338	339	340	341	342
343	344	345	346	347	348
349	350	351	352	353	354
355	356	357	358	359	360
361	362	363	364	365	366
367	368	369	370	371	372
373	374	375	376	377	378
379	380	381	382	383	384
385	386	387	388	389	390
391	392	393	394	395	396
397	398	399	400	401	402
403	404	405	406	407	408
409	410	411	412	413	414
415	416	417	418	419	420
421	422	423	424	425	426
427	428	429	430	431	432
433	434	435	436	437	438
439	440	441	442	443	444
445	446	447	448	449	450
451	452	453	454	455	456
457	458	459	460	461	462
463	464	465	466	467	468
469	470	471	472	473	474
475	476	477	478	479	480
481	482	483	484	485	486
487	488	489	490	491	492
493	494	495	496	497	498
499	500	501	502	503	504
505	506	507	508	509	510
511	512	513	514	515	516
517	518	519	520	521	522
523	524	525	526	527	528
529	530	531	532	533	534
535	536	537	538	539	540
541	542	543	544	545	546
547	548	549	550	551	552
553	554	555	556	557	558
559	560	561	562	563	564
565	566	567	568	569	570
571	572	573	574	575	576
577	578	579	580	581	582
583	584	585	586	587	588
589	590	591	592	593	594
595	596	597	598	599	600
601	602	603	604	605	606
607	608	609	610	611	612
613	614	615	616	617	618
619	620	621	622	623	624
625	626	627	628	629	630
631	632	633	634	635	636
637	638	639	640	641	642
643	644	645	646	647	648
649	650	651	652	653	654
655	656	657	658	659	660
661	662	663	664	665	666
667	668	669	670	671	672
673	674	675	676	677	678
679	680	681	682	683	684
685	686	687	688	689	690
691	692	693	694	695	696
697	698	699	700	701	702
703	704	705	706	707	708
709	710	711	712	713	714
715	716	717	718	719	720
721	722	723	724	725	726
727	728	729	730	731	732
733	734	735	736	737	738
739	740	741	742	743	744
745	746	747	748	749	750
751	752	753	754	755	756
757	758	759	760	761	762
763	764	765	766	767	768
769	770	771	772	773	774
775	776	777	778	779	780
781	782	783	784	785	786
787	788	789	790	791	792
793	794	795	796	797	798
799	800	801	802	803	804
805	806	807	808	809	810
811	812	813	814	815	816
817	818	819	820	821	822
823	824	825	826	827	828
829	830	831	832	833	834
835	836	837	838	839	840
841	842	843	844	845	846
847	848	849	850	851	852