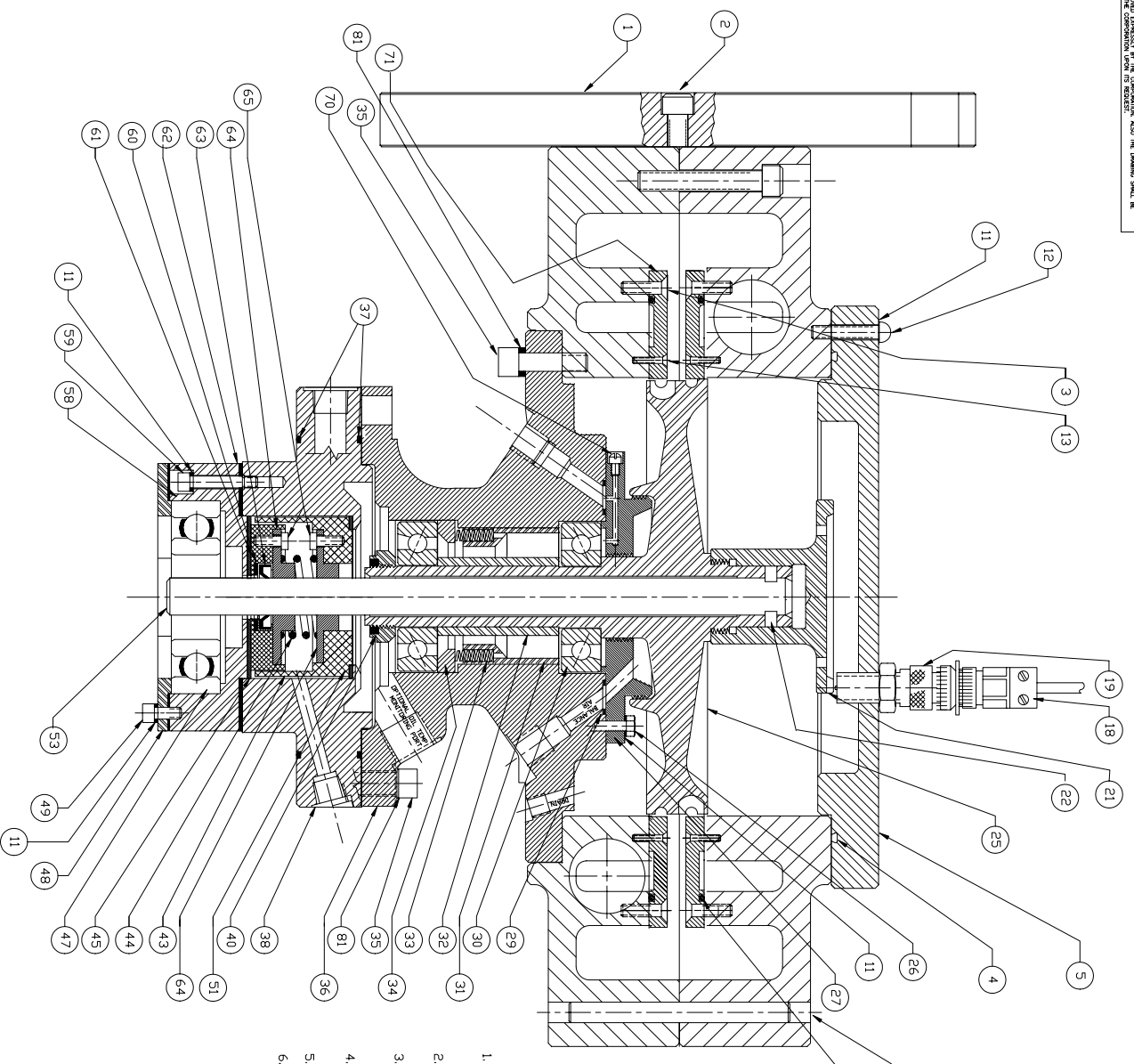


This drawing is the property of BORGES STOCKWELL COMPANY, and contains confidential information. It is to be used only for the purposes intended. No part of this drawing is to be reproduced, stored in a retrieval system, or transmitted in any form or by any means, electronic, mechanical, photocopying, recording, or by any information storage and retrieval system, without the prior written permission of BORGES STOCKWELL COMPANY. THE COMPANY WILL BE RESPONSIBLE FOR THE PROTECTION OF THIS DRAWING FROM UNAUTHORIZED DISSEMINATION TO THE COMPETITIVE MARKET. THE COMPANY SHALL BE



- NOTES:
1. FOR PART LIST PURPOSES, PORTIONS OF THIS SECTIONAL ASSEMBLY ARE SHOWN OUT OF TRUE POSITION.
  2. WHEN ORDERING TURBINE PARTS, SERIAL NO. STAMPED ON B.S.C.D NAMEPLATE SHOULD BE INCLUDED.
  3. PARTS DESIGNATED BY \* ARE ACCESSORIES NOT FURNISHED WITH BASIC TURBINE ASSEMBLY, BUT AVAILABLE UPON REQUEST.
  4. EXTREME CARE MUST BE USED IN THE HANDLING POSITIONING & ALIGNING OF MATING PARTS.
  5. TURBINE SHIPPING WEIGHT IS APPROX. 250 LBS.
  6. REFER TO DRAWING #4266 FOR TURBINE INSTALLATION.

PART NO.	QTY	DESCRIPTION
49 4168	1	GUIDE BEARING HOUSING CAP
51 4282	4	SCREW
53 6049	1	SPINDLE-UPPER
53 6049	1	SPINDLE-SOLID
53 5057	1	SPINDLE-MIDDLE
59 4206	1	GUIDE BEARING HOUSING
59 5005	8	SCREW
61 4163	1	SEAL WASHER
62 4163	1	DAMPER CAST
63 5001	1	GASKET
64 5000	2	DAMPER BEARING
65 6129	1	DIL. SEAL
67 N/A	1	SCREW
67 N/A	1	SCREW
67 N/A	1	SCREW
70 4243	1	NOZZLE PLATE
71 4157-ASB	2	NOZZLE PLATE
79 4163	1	SCREW/USED IN 4276 ASSEMBLY
80 4253	1	SEAL LOCATING PIN
81 4288	2	GASKET

PART NO.	QTY	DESCRIPTION
11 4568	1	FLANGE, EXHAUST
2 1806-6-8	4	SCREW
3 1105	24	SCREW
4 2-639	1	SPRING
3 8960-H1	1	CAP
11 4205	1	GASKET
12 150-426-10	1	ROTOR HEAD SCREW'S
13 8394	8	SCREW
18 1895	1	CABLE, MAGNETIC PICK UP
19 8433	1	MAGNETIC PICK UP
21 5009	1	ROTOR NUT
22 5005	1	KEYS-UPPER
23 5004	1	ROTOR
26 4202	6	SCREW
27 4175	1	SEAL
28 4149	1	NOZZLE BODY ASSEMBLY
29 4234	3	O RING
30 4109	2	BALL BEARING
31 1180	1	PELLUD STEEL
32 4174	1	BEARING SPACER
33 4287	8	SPRING-PRELOAD
34 4286	1	PRESSURE RING
35 4207	14	SCREW
36 4154	1	BEARING HOUSING
37 2-162-FRM	2	DRING
38 4158	1	DAMPER HOUSING
40 4155	1	BEARING LOCKNUT
43 6180	1	DAMPER CASE
44 5004	1	DAMPER BEARING SPRING
45 6150	1	DAMPER WASHER
46 4102	2	DRING
47 4163	1	BALL BEARING

CHARACTERISTIC SYMBOLS	TO FINISH	DESCRIPTION	DATE	BY
SYMMETRICAL	UNLESS OTHERWISE SPECIFIED	USED ON BARBICUR STOCKWELL CO. DRAWINGS		
PLUMBNESS	SQUARENESS	PARALLELISM	DATE	DATE
CONCENTRICITY	POSITION	CONCENTRICITY	DATE	DATE
SYMMETRY	AS NOTED	FINISH EXCEPTED	DATE	DATE
ANGLE OF A	CIRCULAR	HEAT TREAT	DATE	DATE
ANGLE OF A	TOTAL	SCALE	1/1	SHEET 1 OF 1

8" VERTICAL TURBINE  
3/4 DIA. SPINDLE  
DRAWING NUMBER 4146-750

BS&G