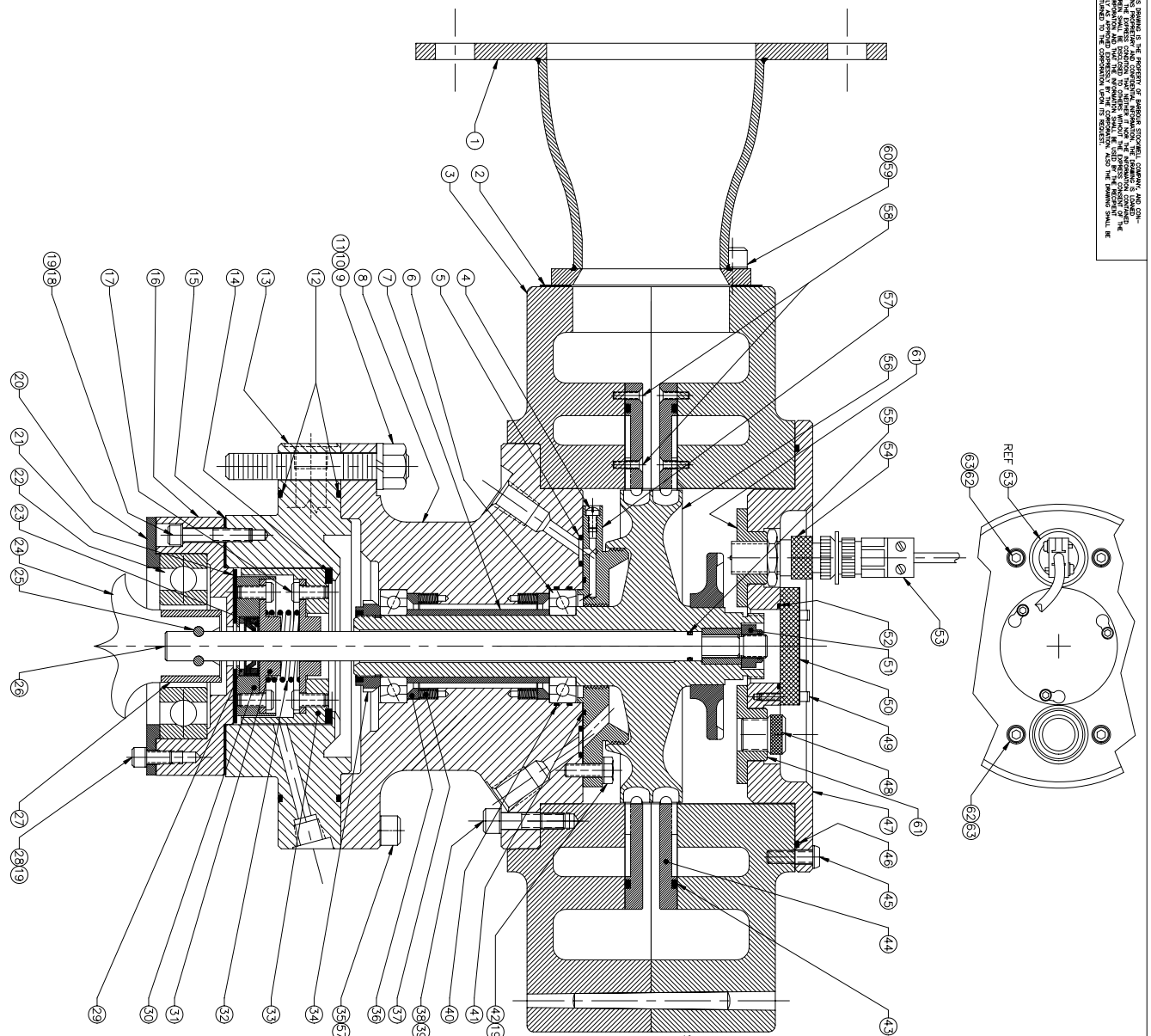


THIS DRAWING IS THE PROPERTY OF BARBER SCOTCHMOUTH COMPANY, AND COMPANY. IT IS TO BE KEPT IN CONFIDENCE AND NOT TO BE REPRODUCED OR TRANSMITTED IN ANY FORM OR BY ANY MEANS, ELECTRONIC OR MECHANICAL, INCLUDING PHOTOCOPYING, RECORDING, OR BY ANY INFORMATION STORAGE AND RETRIEVAL SYSTEM, WITHOUT THE WRITTEN PERMISSION OF BARBER SCOTCHMOUTH COMPANY. THE COMPANY SHALL BE HELD HARMLESS BY THE COMPANY, WHEN IN EXERCISE OF THIS RIGHT.



PARTS LIST

REF. NO.	PART NO.	QTY.	DESCRIPTION	REF. NO.	PART NO.	QTY.	DESCRIPTION
51	6119	1	NUT, SPINDLE	1	6105	1	EXHAUST ADAPTER WELDMENT
52	6187	1	O-RING	2	2721	1	GASKET, EXHAUST ADAPTER
53	1895	1	CABLE ASSEMBLY	3	6102	1	NOZZLE BOX ASSEMBLY
54	2433	1	MAGNETIC PICK-UP	4	4243	1	SCREW ~ SEAL PLUG
55	6199	1	O-RING	5	4234	3	O-RING
56	6101	1	ROTOR ASSEMBLY	6	6117	2	BALL BEARING
57	6128	82	LABRINTH SEAL	7	6116	1	BEARING SPACER
58	2934	82	SCREW	8	6106	1	BEARING HOUSING ASSEMBLY
59	1222	4	SCREW	9	N/A	6	1/2-13 THREADED STUD x 3.5" LG
60	4208	6	GASKET	10	300-8L	6	1/2" - SPLUT LOCK WASHER
61	6148	2	ADAPTER, PICK-UP MOUNTING	11	20528	6	1/2-13 HEX NUT
62	1200-1032-4	4	#10-32 x 1/2" LG. SHCS	12	2-162-FRM	2	O-RING (PARKER #2-162)
63	320-1032L	4	#10 - SPLUT LOCK WASHER	13	4158	1	DAMPER HOUSING
-	4194	1	PIPE PLUG	14	4222	1	DAMPER SEAL ~ UPPER
-	4213	2	TIE ROD	15	4153	1	GASKET
-	4214	4	HEX NUT	16	4166	1	GUIDE BEARING HOUSING
-	1118	2	SCREW FASTENERS	17	6191	12	SCREW
-	4233	1	PIN, SEAL	18	4206	8	SCREW
-	4182	4	SCREW	19	320-2L	18	1/4" - SPLUT LOCK WASHER
-	4210	10	HEX NUT	20	4168	1	GUIDE BEARING HOUSING CAP
-	4212	10	HEX NUT	21	6190	1	DAMPER SEAL
-	4211	20	WASHER	22	4167	1	BALL BEARING
-	N/A	2	LIFTING EYE	23	6113	1	LIP SEAL
-	1208	1	OIL SIGHT GAUGE	24	6131	1	WORK HOLDING ARBOR
-	6185	1	CHAN	25	6111	2	DRIVE PIN
-	6183	1	RETAINING SCREW	26	6104	1	SPINDLE
-	6184	2	SPLIT RING	27	4256	1	PIN, RETAINING COLLAR
-	6155	2	MALE CONNECTOR	28	4204	4	SCREW
-				29	4164	1	DAMPER WASHER
-				30	6181	1	DAMPER SEAL CASE
-				31	6114	2	DAMPER BEARING
-				32	4162	1	DAMPER SPRING
-				33	6180	1	DAMPER CASE
-				34	4195	1	BEARING LOCKNUT
-				35	4207	2	SCREW
-				36	6137	2	PRESSURE RING
-				37	6026	36	PRELOAD SPRING (24 @ LOCKNUT END)
-				38	6121	12	SCREW
-				39	300-5L	12	5/16" - SPLUT LOCK WASHER
-				40	6198	2	O-RING, BEARING DAMPER
-				41	6157	1	O-RING, LABRINTH SEAL
-				42	4202	6	SCREW
-				43	6198	2	O-RING (NOZZLE PLATE)
-				44	6103	2	NOZZLE PLATE
-				45	4215	12	SCREW
-				46	6186	1	O-RING
-				47	6118	1	COVER
-				48	4188	1	PLUG SCREW
-				49	6188	3	SCREW
-				50	6182	1	ACCESS CAP

- NOTES ~
- FOR PARTS LIST PURPOSES THIS SECTIONAL ASSEMBLY ARE SHOWN OUT OF TRUE POSITION AND OR SCALE.
 - WHEN ORDERING TURBINE PARTS SERIAL NO. INCLUDED.
 - PARTS DESIGNATED BY * ARE ACCESSORIES NOT FURNISHED WITH BASIC TURBINE ASSEMBLY, BUT ARE AVAILABLE UPON REQUEST.
 - EXTREME CARE MUST BE USED IN THE HANDLING, POSITIONING AND ALIGNING OF MATING PARTS.
 - SHIPPING WEIGHT OF TURBINE APPROX. 155lb. (ACTUAL NET WT. 163lb)
 - REFER TO DRAWING #6150 FOR TURBINE INSTALLATION.

CHARACTERISTIC SYMBOLS		FINISH		DATE	
STRAIGHTNESS	—	PERPENDICULARITY	⊥	DATE	BY
PLATNESS	∇	PARALLELISM	∥	DATE	BY
ROUNDNESS	⊖	POSITION	⊕	DATE	BY
CONCENTRICITY	⊘	CONCENTRICITY	⊙	DATE	BY
SYMMETRY	⊞	SYMMETRY	⊞	DATE	BY
CIRCULAR RUNOUT	⊘	CIRCULAR RUNOUT	⊘	DATE	BY
ANGULARITY	∠	ANGULARITY	∠	DATE	BY

6" TURBINE
MODEL 6100

SCALE FULL SHEET 1 of 1