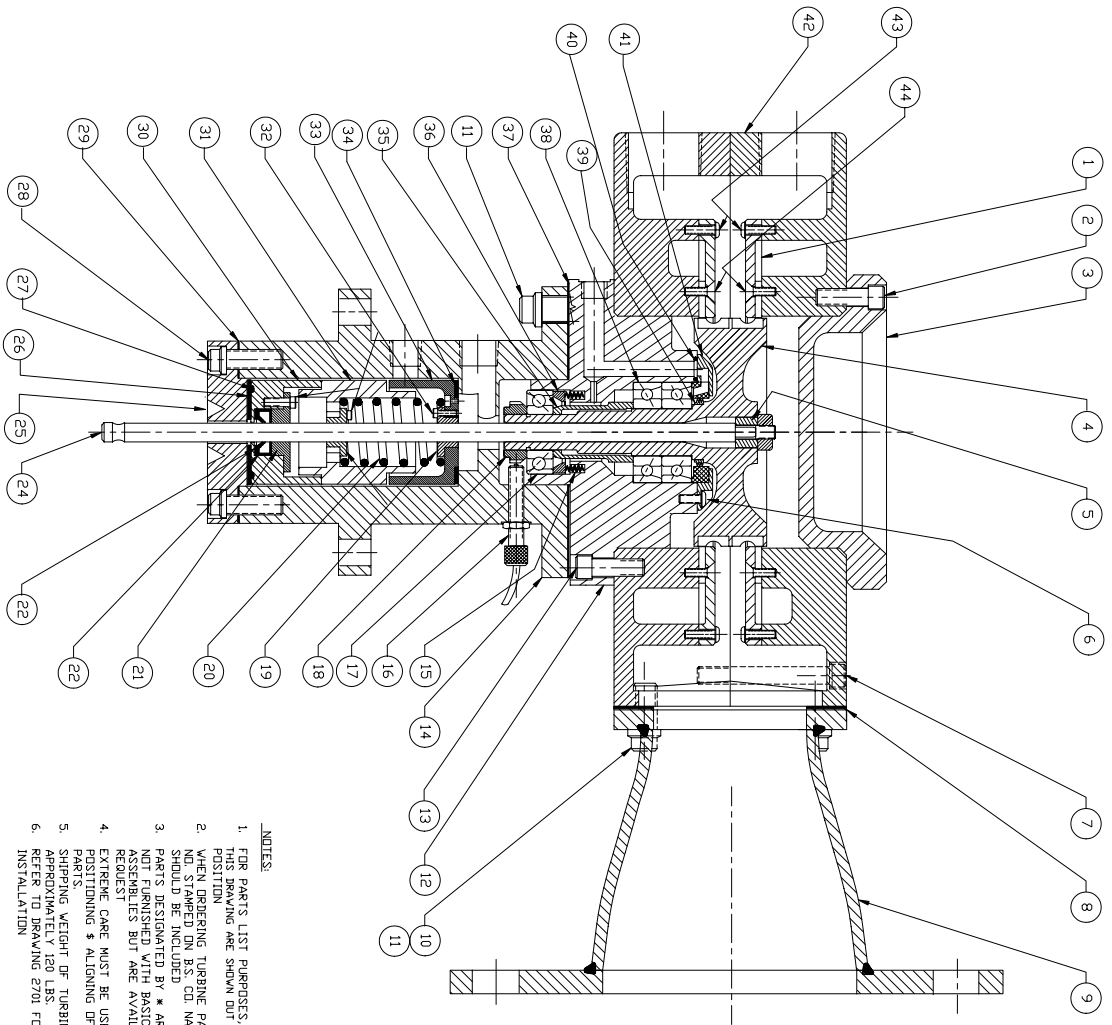


This drawing is the property of BARRON STOCKWELL COMPANY, and contains confidential information. It is not to be distributed, copied, or otherwise used without the written permission of BARRON STOCKWELL COMPANY. THE USER SHALL BE RESPONSIBLE FOR THE PROTECTION OF THIS DRAWING FROM UNAUTHORIZED DISSEMINATION TO THE COMPETITIVE LEVEL OF INDUSTRY.



- NOTES:**
1. FOR PARTS LIST PURPOSES, PORTIONS OF POSITION 11 ARE SHOWN OUT OF TRUE POSITION.
  2. WHEN OPERING TURBINE PARTS, SERIAL NO. STAMPED ON B.S. CO. NAMEPLATE SHOULD BE INCLUDED.
  3. PARTS DESIGNATED BY \* ARE ACCESSORIES NOT FURNISHED WITH BASIC TURBINE ASSEMBLY BUT ARE AVAILABLE UPON REQUEST.
  4. EXTREME CARE MUST BE USED IN THE POSITIONING & ALIGNING OF MATING PARTS.
  5. SHIPPING WEIGHT OF TURBINE IS APPROXIMATELY 120 LBS.
  6. REFER TO DRAWING 2701 FOR TURBINE INSTALLATION.

**PARTS LIST**

REF. NO.	PART NO.	QTY	DESCRIPTION
1	2704A	2	NOZZLE PLATE
2	1118	4	SCREW
3	2778	1	CAP
4	2726	1	ROTOR
5	2516	1	BUSHING, ROTOR
6	2743	6	SCREW
7	1579	10	SCREW
8	2721	1	GASKET
9	6105	1	EXHAUST WELDMENT
10	4208	4	GASKET
11	1282	8	SCREW
12	2727	1	BEARING HOUSING
13	1578	6	SCREW
14	2490-4	1	DAMPER HOUSING
15	2715	18	PRELOAD SPRINGS
16	2942	1	MAGNETIC PICK-UP
17	2423	1	BALL BEARING
18	2863	1	BEARING LOCKNUT
19	2527	2	DAMPER BUSHING
20	2443	1	DAMPER SPRING
21	2545	1	DAMPER BUSHING
22	6045	1	OIL SEAL
23	2539	1	SEAL WASHER
24	2529-R	1	SPINDLE
25	2432	1	DAMPER HOUSING CAP
26	2540	1	DAMPER SEAL
27	2732	1	O-RING
28	2449	4	SCREW
29	1128	1	GASKET
30	2480	1	DAMPER SEAL BODY
31	2481	1	DAMPER RING
32	1040	10	SCREW
33	2482	1	DAMPER DISK
34	2489	1	SEAL, UPPER
35	2711	1	BEARING SPACER
36	2712	1	PRESSURE RING
37	2491-4	1	GASKET
38	2714	2	BALL BEARING
39	2729	1	LABYRINTH SEAL
40	2730	1	O-RING
41	2733	1	BEARING RETAINER
42	2759	1	NOZZLE BOX ASSEMBLY
43	9452	16	46-32 X .50 LONG, BUTTON HEAD SCREW
44	1321	34	46-32 X .50 LONG, FLAT HEAD SCREW
	2731	1	PIN

\* NOT SHOWN

CHARACTERISTIC SYMBOLS		TOLERANCE UNLESS OTHERWISE SPECIFIED	
STRAIGHTNESS	—	PERPENDICULARITY	⊥
PLATNESS	∇	PARALLELISM	∥
CIRCULARITY	○	POSITION	⊙
ROUNDNESS	⊖	CONCENTRICITY	⊕
SYMMETRY	≡	FINISH	⊘
AS NOTED		AS NOTED	
HEAT TREAT	HT	APPROVED	DATE
SCALE	FULL	SHEET	1 OF 1

**4" BI-DIRECTIONAL TURBINE**

DESIGNED BY: [Signature] DATE: [Date]

CHECKED BY: [Signature] DATE: [Date]

APPROVED BY: [Signature] DATE: [Date]

SCALE: FULL SHEET 1 OF 1